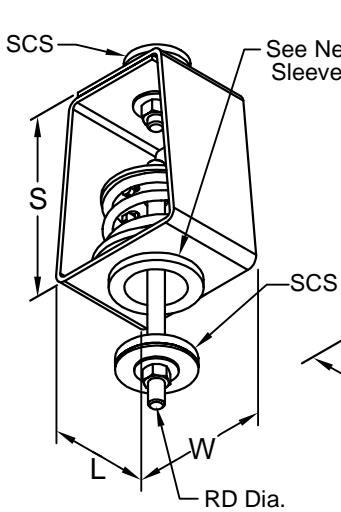
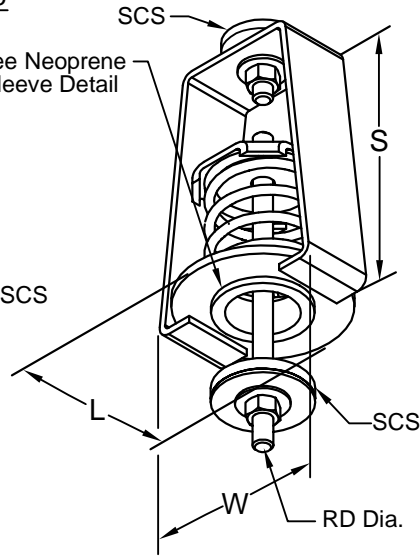


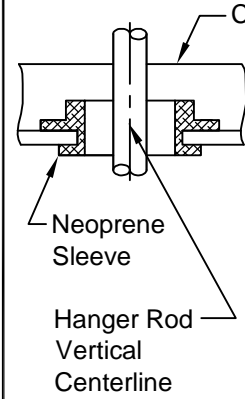
LIGHT WEIGHT HANGER
CH30SCS ET20 - ET-255



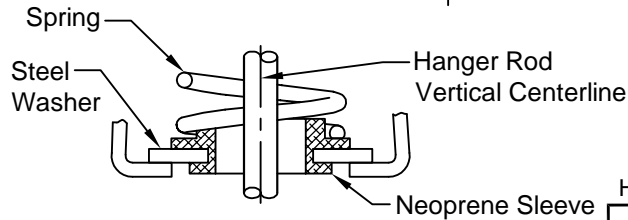
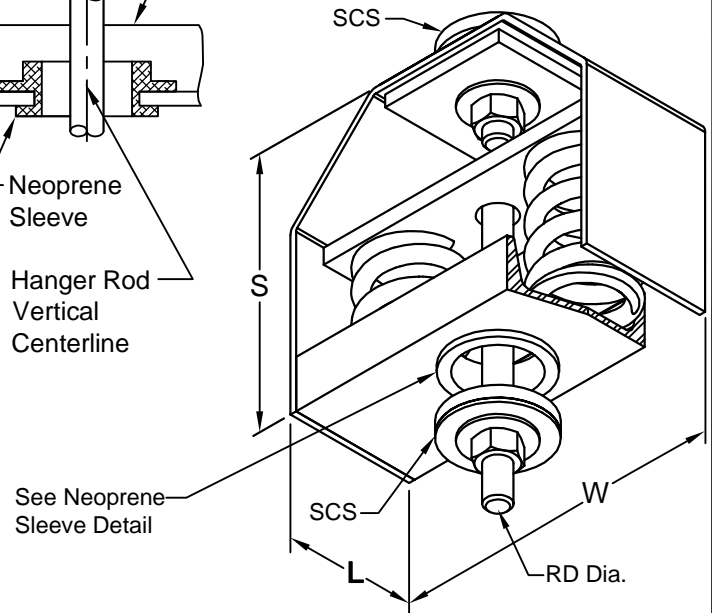
BASIC HANGER
CH30SCS ET347 - ET-1326



NEOPRENE SLEEVE DETAIL



***EXTRA STRENGTH HANGER**
CH30SCS E1612 - E4920



NEOPRENE SLEEVE DETAIL

Type CH30SCS is used where uncertain alignment is anticipated during installation. At normal load the hanger rod will operate to a full 15° tilt in any direction from vertical centerline.

Springs rated deflection is 1".

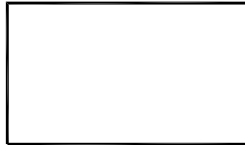
SFH - Spring Free Height.

* The housings of these units are specially reinforced for extra strength.

** **Rod Diameter (RD)**
Rod, nuts and washers by others.

Installation Instruction
See file F96

HANGER LOCATION



HANGER SELECTION	HANGER LOCATION

Seismic Cushion Stop (SCS)	
	Upper long life Rubber Cushion
	Lower long life Rubber Cushion. Bonded to steel plate.

TYPICAL CALLOUT

CH30SCS - ET129
(Type) - (Load)

CH30SCS Max. Load (lbs)	DIMENSIONS (Inches)					
	SFH	S	W	L	SCS Ø	** RD
ET 20	1-7/8	4-3/4	3-5/8	2-1/2	2-3/8	1/2
ET 42	2					
ET 80	2-1/8					
ET 129	2-3/8					
ET 194	2-3/8					
ET 255	2-1/2	6	5-5/16	4-1/4	3	5/8
ET 347	2-3/4					
ET 473	2-7/8	7	5-7/8	4-3/4	3	7/8
ET 667	3-1/8					
ET 940	3-3/8					
ET 1326	3-5/8	8-1/4	10	4	4	1
E 1612 *	3-5/8					
E 2060 *	3-7/8					
E 2460 *	4-1/8					
E 2980 *	4-1/8	8-1/2	9-1/2	7	4	1-1/8
E 4120 *	3-7/8					
E 4920 *	4-1/8					



CALIFORNIA DYNAMICS CORPORATION
20500 PRAIRIE ST. CHATSWORTH CA, 91311
Phone 323-223-3882
Email: caldyn@caldyn.com

"CALL US - TO SET THINGS RIGHT"

JOB: _____

CUSTOMER: _____

TAG: _____

Dwg. No. F593	Date
PREP By:	Date
CHKD By:	Date
DO NOT SCALE DRAWING	

TYPE

CH30SCS

15° Tilt
SPRING HANGER
WITH
SEISMIC CUSHION STOP
1" DEFLECTION