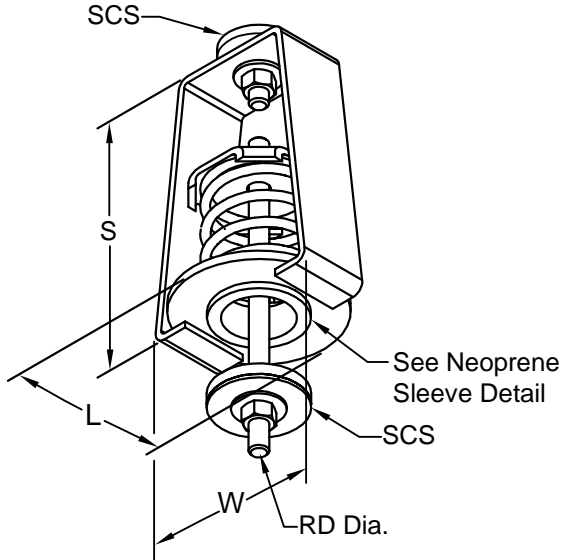
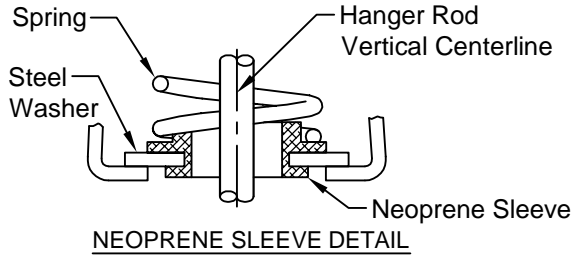
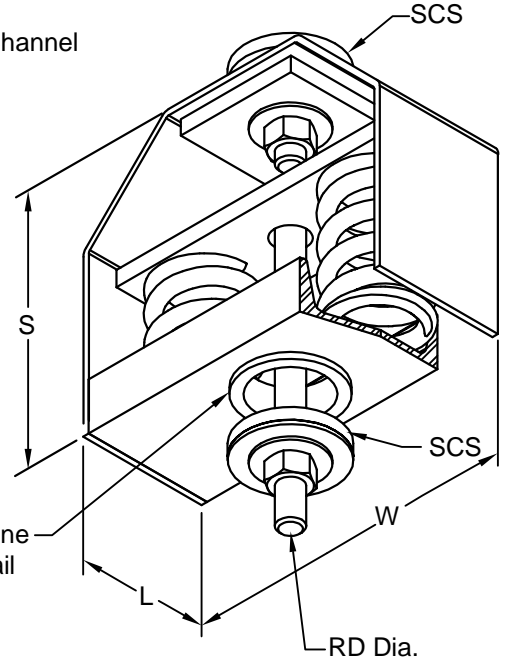
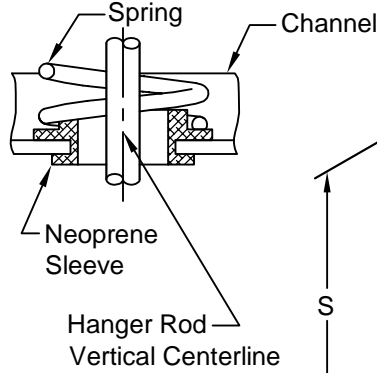


**BASIC HANGER
CH30SCS FT30 - F590**



*** EXTRA STRENGTH HANGER
CH30C F696 - F3420**

NEOPRENE SLEEVE DETAIL



TYPICAL CALLOUT

CH30C - FT121
(Type) - (Size)

HANGER LOCATION

--

CH30SCS Max. Load (lbs)	DIMENSIONS (Inches)							
	SFH	S	W	L	SCS Ø	** RD		
FT 30 FT 41	3-1/2	6-1/2	3-5/8	2-1/2	2-3/8	1/2		
FT 60 FT 85	3-3/4							
FT 121	4	8	5	4	5/8			
FT 171 FT 241	4-1/4 4-1/2	8	5-1/4	4-1/2				
F 348 F 453 F 590	5				9	10-3/8	4	3/4
F 696* F 906* F 1180*								7/8
F 1352* F 1574* F 1836*	6-1/2	11-1/2	12-3/8	5	4			
F 2318* F 2816* F 3420*								

Type CH30SCS is used where uncertain alignment is anticipated during installation. At normal load the hanger rod will operate to a full 15° Tilt in any direction from vertical center line.

Springs rated deflection is 2".



Spring Free Height = SFH

* The housings of these units are specially reinforced for extra strength.

** Rod Diameter (RD)

Rods, nuts and washers are by others.

HANGER SELECTION	HANGER LOCATION

Seismic Cushion Stop (SCS)	
	Upper long life rubber cushion
	Lower long life rubber cushion bonded to stop plate.

CALDYN

CALIFORNIA DYNAMICS CORPORATION
20500 PRAIRIE ST. CHATSWORTH CA, 91311
Phone 323-223-3882
Email: caldyn@caldyn.com

"CALL US - TO SET THINGS RIGHT"

JOB: _____

CUSTOMER: _____

TAG: _____

Dwg. No. F591	Date
PREP By:	Date
CHKD By:	Date

TYPE
CH30SCS

15° TILT
2" DEFLECTION
SPRING HANGER
WITH SEISMIC
CUSHION STOP

DO NOT SCALE DRAWING