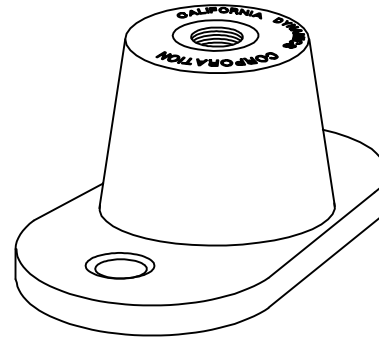


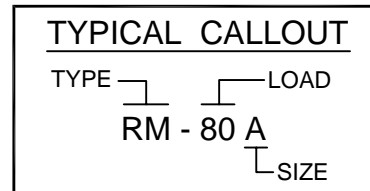
RM  
1/4" Defl.



RM-D  
1/2" Defl.

### LOAD SELECTION CHART

COLOR CODE	MOUNT SIZE (LOAD - POUNDS)			
	A	B	C	F
Orange	40	120	—	—
Yellow	55	200	300	—
Green	80	280	520	1800
Blue	130	400	750	3000
White	—	—	1100	5000
RM Weight	.21 #	.40 #	1.00 #	3.30 #
RM-D Weight	.25 #	.50 #	1.30 #	4.00 #



### DIMENSIONS (Inches)

MOUNT SIZE	L	S	W	O	T (Thread)	K	H		J	
							RM	RM-D	RM	RM-D
A	3 <sup>3</sup> / <sub>16</sub>	2 <sup>3</sup> / <sub>8</sub>	1 <sup>3</sup> / <sub>16</sub>	1 <sup>1</sup> / <sub>32</sub>	5 <sup>1</sup> / <sub>16</sub> -18	1 <sup>1</sup> / <sub>4</sub>	1	1 <sup>1</sup> / <sub>2</sub>	1 <sup>3</sup> / <sub>16</sub>	1 <sup>5</sup> / <sub>16</sub>
B	3 <sup>7</sup> / <sub>8</sub>	3	2 <sup>3</sup> / <sub>8</sub>	1 <sup>1</sup> / <sub>32</sub>	3 <sup>8</sup> / <sub>16</sub> -16	1 <sup>3</sup> / <sub>4</sub>	1 <sup>1</sup> / <sub>4</sub>	1 <sup>13</sup> / <sub>16</sub>	1 <sup>1</sup> / <sub>32</sub>	1 <sup>9</sup> / <sub>16</sub>
C	5 <sup>1</sup> / <sub>2</sub>	4 <sup>1</sup> / <sub>8</sub>	3 <sup>1</sup> / <sub>4</sub>	9 <sup>9</sup> / <sub>16</sub>	1 <sup>1</sup> / <sub>2</sub> -13	2 <sup>1</sup> / <sub>2</sub>	1 <sup>1</sup> / <sub>2</sub>	2 <sup>1</sup> / <sub>2</sub>	1 <sup>1</sup> / <sub>4</sub>	2 <sup>1</sup> / <sub>4</sub>
F	7 <sup>1</sup> / <sub>2</sub>	6 <sup>1</sup> / <sub>8</sub>	4 <sup>7</sup> / <sub>8</sub>	9 <sup>9</sup> / <sub>16</sub>	5 <sup>8</sup> / <sub>16</sub> -11	4 <sup>3</sup> / <sub>8</sub>	1 <sup>5</sup> / <sub>8</sub>	2 <sup>3</sup> / <sub>4</sub>	1 <sup>3</sup> / <sub>8</sub>	2 <sup>1</sup> / <sub>2</sub>

**CALDYN**

CALIFORNIA DYNAMICS CORPORATION  
20500 PRAIRIE ST. CHATSWORTH CA, 91311  
Phone 323-223-3882  
Email: caldyn@caldyn.com

"CALL US - TO SET THINGS RIGHT"

JOB:

CUSTOMER:

TAG:

Dwg. No.

F575

PREP By:

CHKD By:

DO NOT SCALE DRAWING

Date

2/24/16

Date

Date

TYPE

**RM**  
&  
**RM-D**

NEOPRENE MOUNT