

**Style V**  
Shown

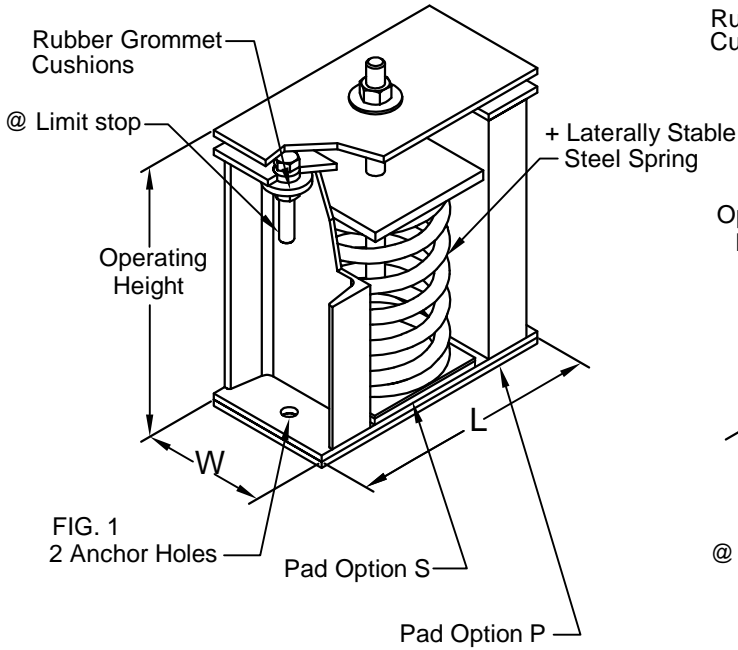


FIG. 1

2 Anchor Holes

**Style U**  
Shown

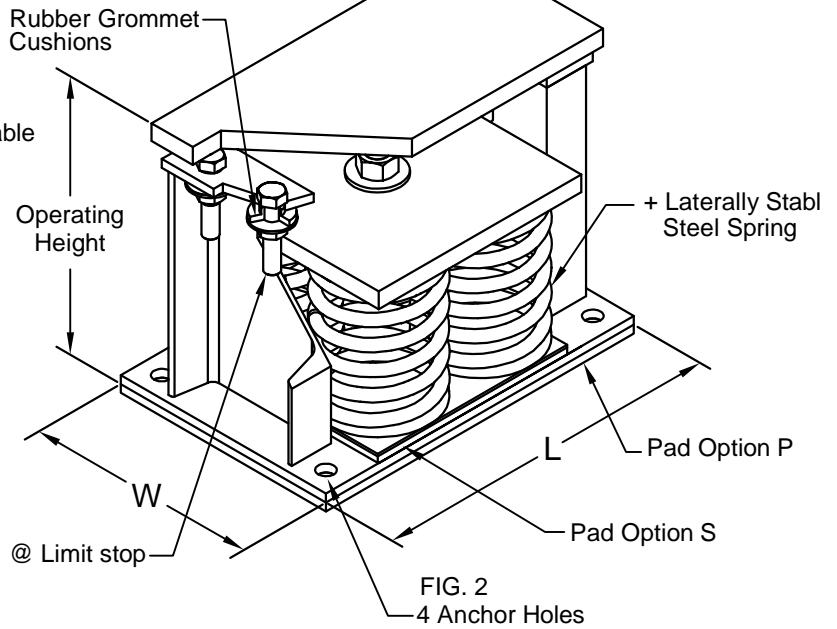
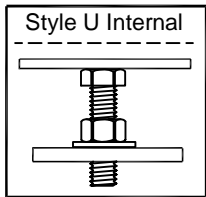


FIG. 2

4 Anchor Holes

**LOAD TRANSFER**



**Notes:**

+ The ratio of the outer spring diameter to its height at rated deflection is not under .8 and extra deflection is not less than 50%. Springs may be clustered as shown and may include inner spring.

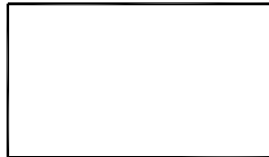
\* Operating Height is  $\pm 10\%$  accurate. Contact Caldyn if closer accuracy is needed.

@ Limit stops provide protection for drainage, wind and seismic that maybe adequate dependent on equipment and requirement.

**Installation Instructions**

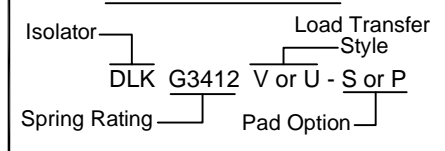
See file F92

**Isolator Location**



Isolator Location	Isolator Selection

**TYPICAL CALLOUT**



**3 Inch Spring Deflection Rating**

DLK Ratings	W x L	*Oper. Height	FIG.
G213, G303	3 x 8	8-1/4	1
G426, G606	4 x 12	8-1/2	
G853, G1223	4 x 9	9-1/2	
G1706, G2446	5 x 14-1/2	9-3/4	
G3412, G4892	9 x 13-1/2	10-1/2	
G5971	12 x 18	11	2
G7677		11-1/4	
G11007		11-1/2	

**4 Inch Spring Deflection Rating**

DLK Ratings	W x L	*Oper. Height	FIG.
H154, H221	4 x 9	9	1
H308, H442	4 x 13		
H624, H883	5 x 10	11	
H1248, H1766	5 x 16	11-1/2	
H2496, H3014, H3532 H5176, H6212	10 x 15	12 12-1/2	
H7764	15 x 16	13-1/2	2
H9318	15 x 19		
H11084, H12424	15 x 20		
H13977	15 x 21	14	



CALIFORNIA DYNAMICS CORPORATION  
20500 PRAIRIE ST. CHATSWORTH CA, 91311  
Phone 323-223-3882  
Email: caldyn@caldyn.com

"CALL US - TO SET THINGS RIGHT"

JOB:

CUSTOMER:

TAG:

Dwg. No.

F530

PREP By:

CHKD By:

DO NOT SCALE DRAWING

Date

2/25/16

Date

Date

TYPE

**DLK**

SPRING ISOLATOR  
6 WAY RESTRAINED  
3" and 4"  
DEFLECTION