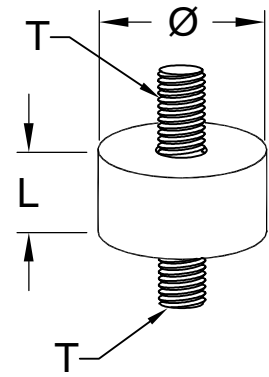
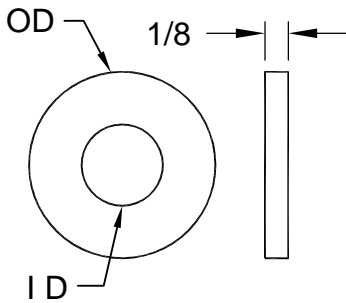


P/N	Max. Load	Max. Load Shear	L	Ø	T
KT 243	2-1/4 #	1 #	9/32	1/4	4 - 40UNC x 3/16 LG
KT 244	4 #	1 #	7/16	7/16	6 - 32UNC x 1/4 LG
KT 245	8 #	2 #	1/2	9/16	8 - 32UNC x 3/8 LG
KT 246	18 #	3 #	5/8	3/4	10 - 32UNC x 3/8 LG
KT 247 - 3/8	40 #	10 #	3/4	1	1/4 - 20UNC x 3/8 LG
KT 247 - 1/2					1/4 - 20UNC x 1/2 LG
KT 248 - 1/2	35 #	10 #	1	1	5/16 - 18UNC x 1/2 LG
KT 248 - 5/8					5/16 - 18UNC x 5/8 LG
KT 249 - 18	135 #	40 #	1	1-1/2	5/16 - 18UNC x 11/16 LG
KT 249 - 24					5/16 - 24UNF x 11/16 LG

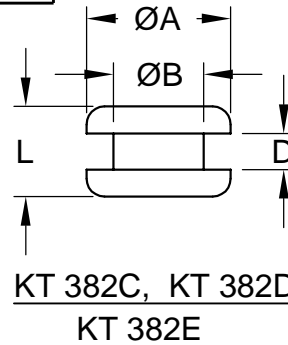
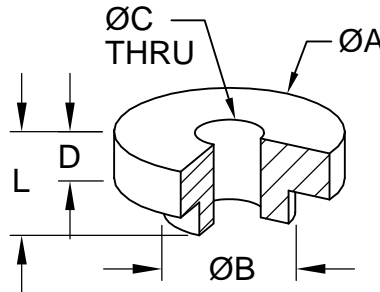


P/N & Bolt Ø Size	ID	OD
KT 305-3/8	7/16	1
KT 305-1/2	9/16	1-3/8
KT 305-5/8	11/16	1-3/4
KT 305-3/4	13/16	2

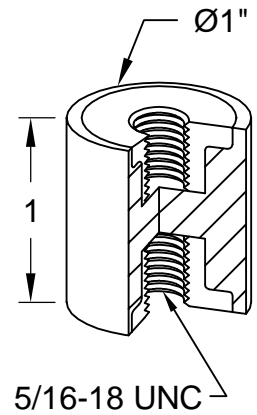


P/N	L	ØA	ØB	ØC	D
KT 382A	7/16	1-1/8	11/16	3/8	1/4
KT 382B	5/8	1-3/4	7/8	5/8	1/4
KT 382C	5/8	1	11/16	3/8	1/4
KT 382D	3/4	1-1/4	13/16	9/16	1/4
KT 382E	7/8	1-3/4	1-1/8	5/8	3/8

KT 382A & KT 382B



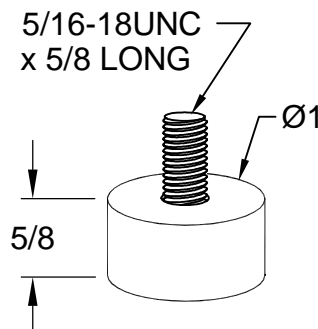
P/N KT 302
25 # MAX. LOAD



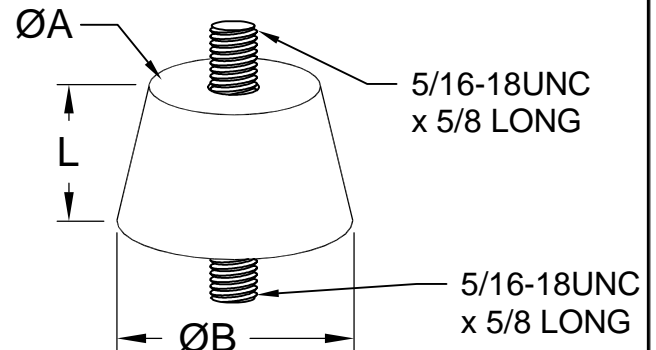
Notes:
Dimensions are in inches.

All products shown are manufactured with high quality synthetic rubber.

P/N KT 321
60 # MAX. LOAD



P/N	Max. Load	L	ØA	ØB
KT 291	100 #	1	1 - 3/16	1 - 5/8
KT 292	60 #	1 - 1/2		



CALDYN

CALIFORNIA DYNAMICS CORPORATION
20500 PRAIRIE ST. CHATSWORTH CA, 91311
Phone 323-223-3882
Email: caldyn@caldyn.com

"CALL US - TO SET THINGS RIGHT"

JOB: _____
CUSTOMER: _____
TAG: _____

Dwg. No. **F502**
Date _____
PREP By: _____ Date _____
CHKD By: _____ Date _____
DO NOT SCALE DRAWING

TYPE
KT
RUBBER MOUNTS AND GROMMETS