

Type XW-JQ (Shown)  
Support Frame

Type XW is a custom designed Steel Frame to adapt between point supports and restraints providing a structurally rigid, continuous attaching surface for Fans, Pumps, A/C Units, Cooling Towers, etc.

\*\* Also may be ordered with the following variety of options:

**STEEL CROSS SECTION:**

The XW bases are available in Angle, Channel, Beam or Wide Flange shapes.

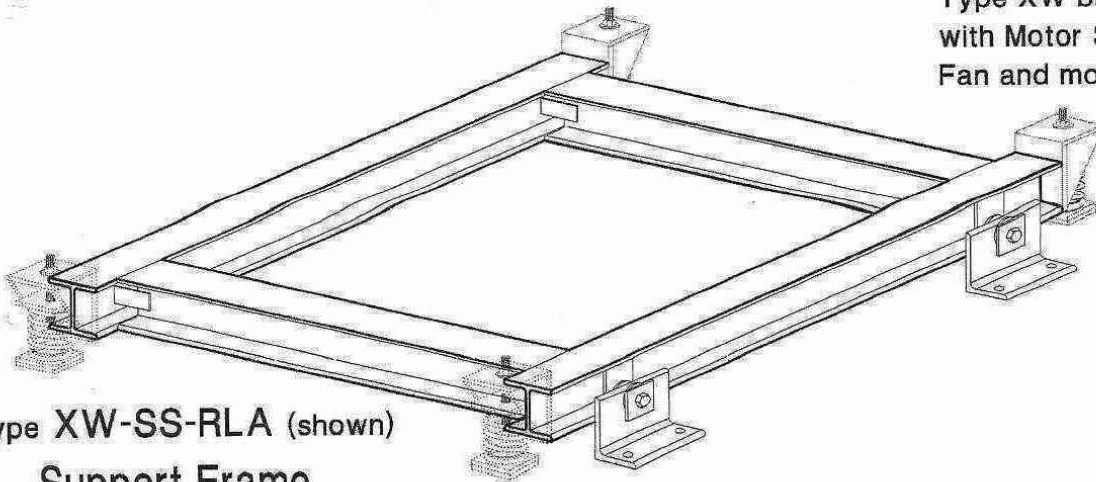
**ISOLATOR TYPE:**

Almost all of CalDyn standard Spring Isolators could be used with the types XW bases.

**MOTOR SLIDE RAILS:**

Type XW bases can be supplied with Motor Slide Rails for integral Fan and motor bases.

CalDyn type XW bases feature height saving brackets to limit elevation & allow for stability of mounted equipment.



Type XW-SS-RLA (shown)  
Support Frame

**CALDYN**

CALIFORNIA DYNAMICS CORPORATION  
20500 PRAIRIE ST. CHATSWORTH CA, 91311  
Phone 323-223-3882  
Email: caldyn@caldyn.com

"CALL US - TO SET THINGS RIGHT"

JOB: \_\_\_\_\_  
CUSTOMER: \_\_\_\_\_  
TAG: \_\_\_\_\_

Dwg. No. <b>F487</b>	Date
PREP By:	Date
CHKD By:	Date
DO NOT SCALE DRAWING	

TYPE  
**XW**  
STUCTURAL  
STEEL FRAME