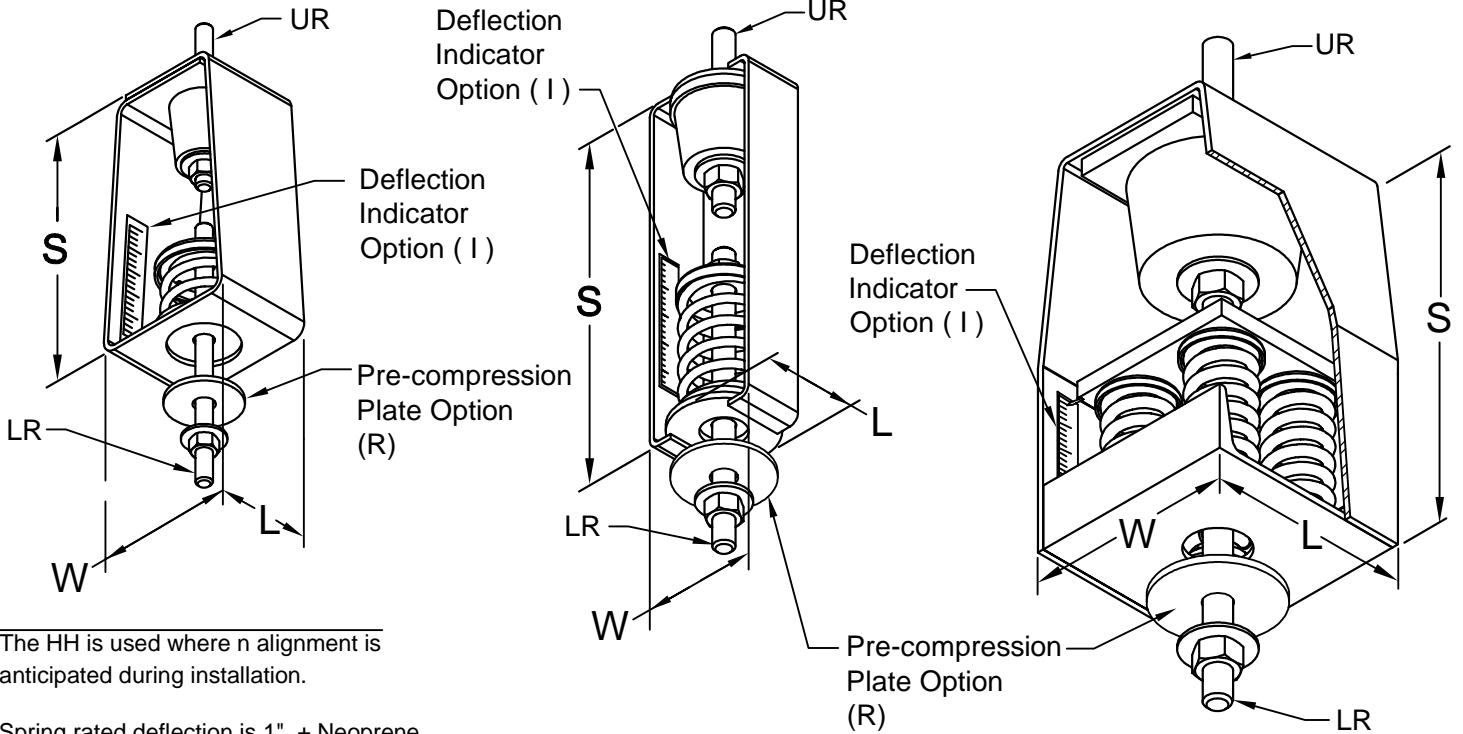


HHE-E21 - HHE-E143

HHE-E187 - HHE-E1060

HHE-E1580 - HHE-2860



The HH is used where an alignment is anticipated during installation.

Spring rated deflection is 1" + Neoprene rated Deflection 1/2" = 1-1/2" Deflection.

Hanger rod centers on pressure cup / plate ensure alignment of components.

The "R" Option, pre-compression plate, rod, washer and nut are furnished. This will extend below the bottom of the hanger housing.

Outside Spring Diameter: Not less than 80% of the compressed height of the spring at rated load.

Minimum Additional Travel: 50% of the required deflection at rated load.

Lateral Stiffness: More than 80% of rated vertical stiffness.

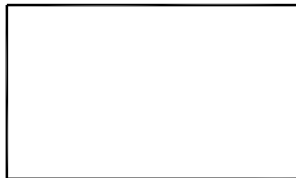
All housings have been tested to carry 5 times maximum load without failure.

UR Ø (Upper Rod) & LR Ø (Lower Rod)
Threaded rod, nuts and washers by others.

Installation Instruction
See file F96

TYPICAL CALLOUT
HH - E 106 - R I
(Type) - (Load) - (Options)

Hanger Location



Hanger Selection	Hanger Selection

Load Max. (lbs)	DIMENSIONS (Inches)				
	S	W	L	UR Ø	LR Ø
E21 E55 E79 E106 E143	6-1/2	3-5/8	2-1/2	1/2	3/8
E187 E244					1/2
E318 E415	9-3/4	3-7/8	3-1/4	3/4	5/8
E500 715 1060					3/4
1580 2044 2860	11-3/8	6-1/2	6	7/8	7/8

CALDYN

CALIFORNIA DYNAMICS CORPORATION
20500 PRAIRIE ST. CHATSWORTH CA, 91311
Phone 323-223-3882
Email: caldyn@caldyn.com

"CALL US - TO SET THINGS RIGHT"

JOB: _____
CUSTOMER: _____
TAG: _____

Dwg. No. **F360** Date _____
PREP By: _____ Date _____
CHKD By: _____ Date _____
DO NOT SCALE DRAWING

TYPE **HH**
COMBINATION
HANGER
SPRING & NEOPRENE
1-1/2" DEFLECTION