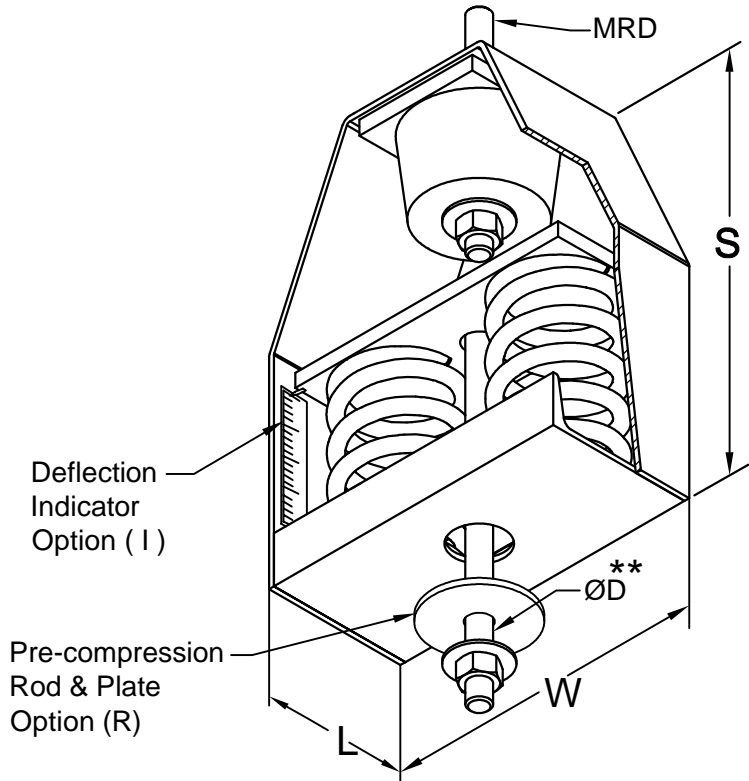
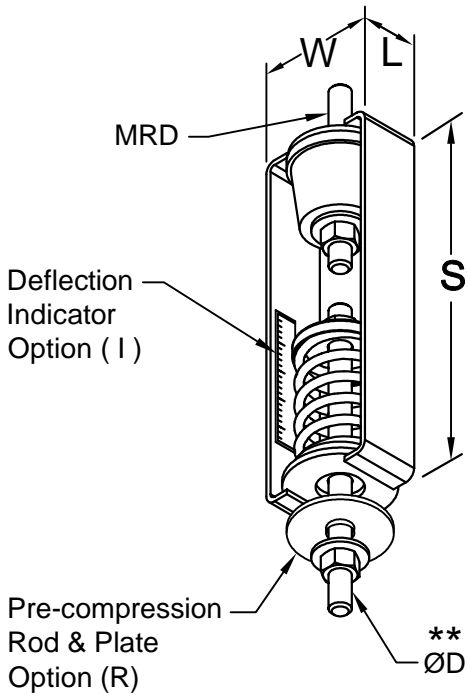


***EXTRA STRENGTH HANGER**
HH-F1159 - HH-F3420

BASIC HANGER
HH-F59 - HH-F918



TYPICAL CALLOUT
HH - F120 - R I
 (Type) - (Load) - (Options)

Notes:

Spring rated Deflection 2" + Neoprene rated Deflection 1/2" = 2-1/2" Deflection.

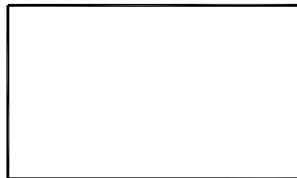
*The housings of these units are specially reinforced for extra strength.

** The pre-compression rod is furnished with units which have the " R " option. This rod will extend about 3" below the bottom of the hanger housing.

Maximum Rod Diameter (MRD)
 Rod, nuts and washers by others.

Minimum Additional Travel
 50% of required deflection at rated load.

Hanger Location



Hanger Selection	Hanger Location

HH Max. Load (lbs)	DIMENSIONS (Inches)				
	S	W	L	MRD	ØD
F59 F83 F120	9	3	2-1/2	1/2	1/2
F155 F195 F241					
F348 F453	10	5-1/2	4-1/2	5/8	5/8
F590 F676 F787 F918	11	5-1/4	4-1/2	3/4	3/4
F1159 * F1408 * F1710 *	13-1/2	6	5	7/8	7/8
F2318 * F2816 * F3420 *	14	11	5		

CALDYN
 CALIFORNIA DYNAMICS CORPORATION
 20500 PRAIRIE ST. CHATSWORTH CA, 91311
 Phone 323-223-3882
 Email: caldyn@caldyn.com
 "CALL US - TO SET THINGS RIGHT"

JOB: _____
 CUSTOMER: _____
 TAG: _____

Dwg. No. **F359** Date **11/30/16**
 PREP By: _____ Date _____
 CHKD By: _____ Date _____
DO NOT SCALE DRAWING

TYPE **HH**
COMBINATION HANGER
SPRING & NEOPRENE
2-1/2" DEFLECTION