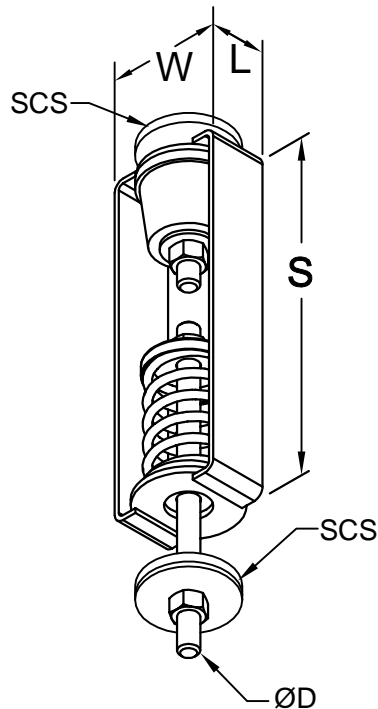
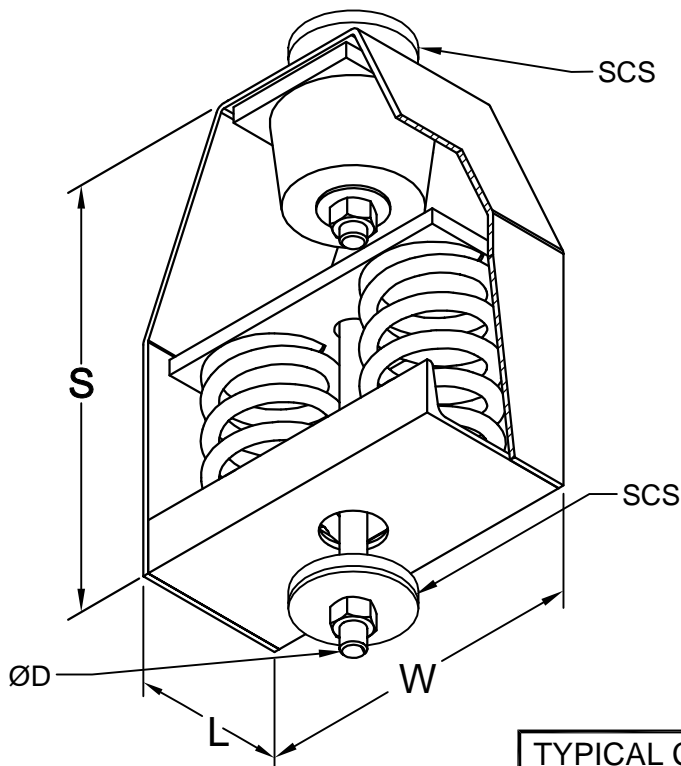


BASIC HANGER
HHSCS-F59 - HHSCS-F918



*** EXTRA STRENGTH HANGER**
HHSCS-F1159 - HHSCS-F3420



TYPICAL CALLOUT
 HHSCS - F120
 (Type) - (Load)

Notes:

Spring rated deflection 2"
 + Neoprene rated deflection
 1/2" = 2-1/2" deflection.

Free Height Listed = SFH

Neoprene Free Height = NFH

* The housing of these units are specially reinforced for extra strength.

Rod Diameter (RD)

Rod, nuts and washers are by others.

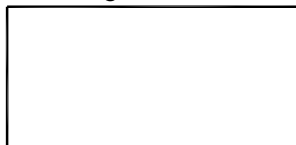
Minimum Additional Travel

50% of rated deflection at rated load.

Installation Instruction

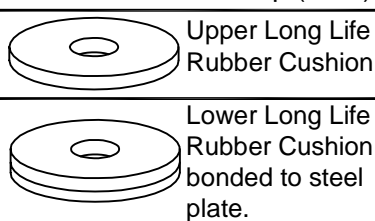
See file F357

Hanger Location



Hanger Selection	Hanger Location

Seismic Cushion Stop (SCS)



HHSCS Max. Load (lbs)	DIMENSIONS (Inches)						
	SFH	NFH	S	W	L	Stop plate	ØD
F59 F83 F120	4-1/4	1-1/2	9	3	2-1/2	2-3/8	1/2
F155 F195 F241							
F348 F453	5	2-1/2	10	5-1/2	4-1/2	3	5/8
F590 F676 F787 F918							
F1159 *	6-3/8	2-3/4	13-1/2	6	5	3	3/4
F1408 * F1710 *							
F2318 * F2816 * F3420 *			14	11	7/8		



CALIFORNIA DYNAMICS CORPORATION
 20500 PRAIRIE ST. CHATSWORTH CA, 91311
 Phone 323-223-3882
 Email: caldyn@caldyn.com

"CALL US - TO SET THINGS RIGHT"

JOB: _____
 CUSTOMER: _____
 TAG: _____

Dwg. No. **F357** Date **11/30/16**
 PREP By: _____ Date _____
 CHKD By: _____ Date _____
DO NOT SCALE DRAWING

TYPE
HHSCS
 COMBINATION HANGER
 SPRING & NEOPRENE
 WITH
 SEISMIC STOP CUSHION
 2-1/2" DEFLECTION