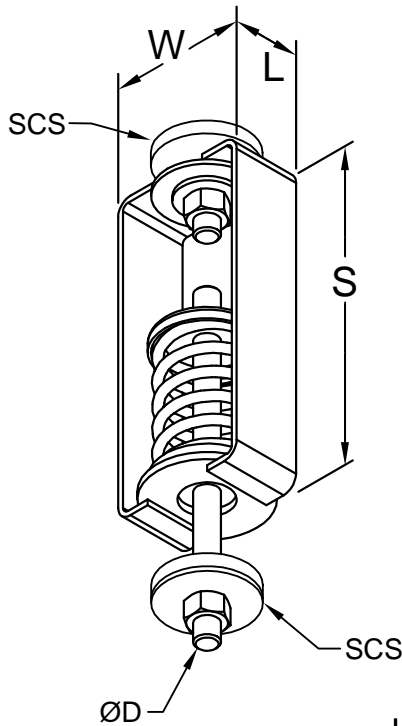
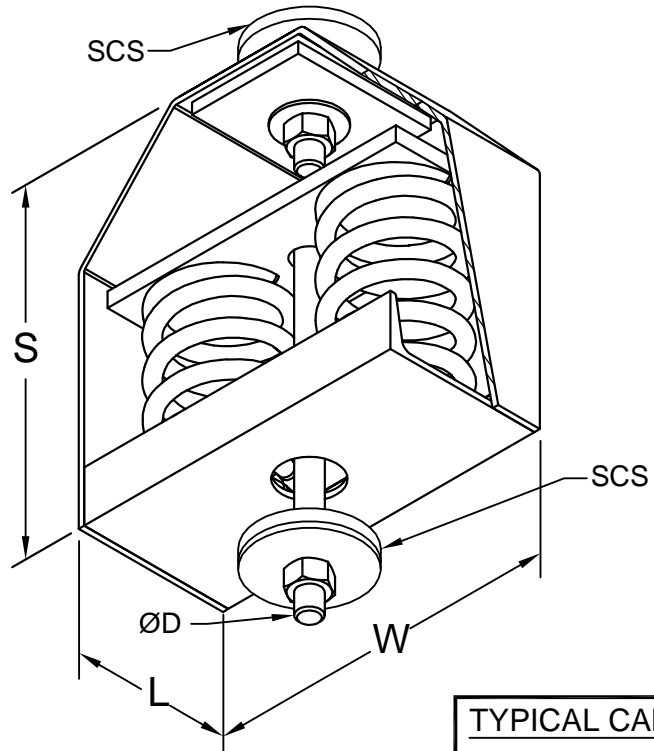


BASIC HANGER
CHSCS-F59 - CHSCS-F918



*** EXTRA STRENGTH HANGER**
CHSCS-F1159 - CHSCS-F3420



TYPICAL CALLOUT
 CHSCS - F120
 (Type) - (Load)

Notes:

Spring rated deflection 2".

Free Height Listed = SFH

* The housing of these units are specially reinforced for extra strength.

Rod Diameter (RD)

Rod, nuts and washers are by others.



Minimum Additional Travel

50% of rated deflection at rated load.

Hanger Location

--

Hanger Selection	Hanger Location

Seismic Cushion Stop (SCS)	
	Upper Long Life Rubber Cushion
	Lower Long Life Rubber Cushion bonded to steel plate.

CHSCS Max. Load (lbs)	DIMENSIONS (Inches)					
	SFH	S	W	L	Stop Plate	ØD
F 59 F 83 F 120 F 155	4-1/4	9	3	2-1/2	2-3/8	1/2
F 195	4-9/16	10	5-1/2	4-1/2		5/8
FT 241	4-1/2					
F 348 F 453	5	11	5-1/4	4-1/2	3/4	
F 590 F 676 F 787 F 918						
F 1159*	6-7/16	11	5	5	3	7/8
F 1408*						
F 1710*						
F 2318* F 2816* F 3420*	11-1/4	11	5			



CALIFORNIA DYNAMICS CORPORATION
 20500 PRAIRIE ST. CHATSWORTH CA, 91311
 Phone 323-223-3882
 Email: caldyn@caldyn.com

"CALL US - TO SET THINGS RIGHT"

JOB: _____

CUSTOMER: _____

TAG: _____

Dwg. No. F356	Date
PREP By:	Date
CHKD By:	Date
DO NOT SCALE DRAWING	

TYPE
CHSCS
 SPRING HANGER
 WITH
 SEISMIC STOP CUSHION
 2" DEFLECTION