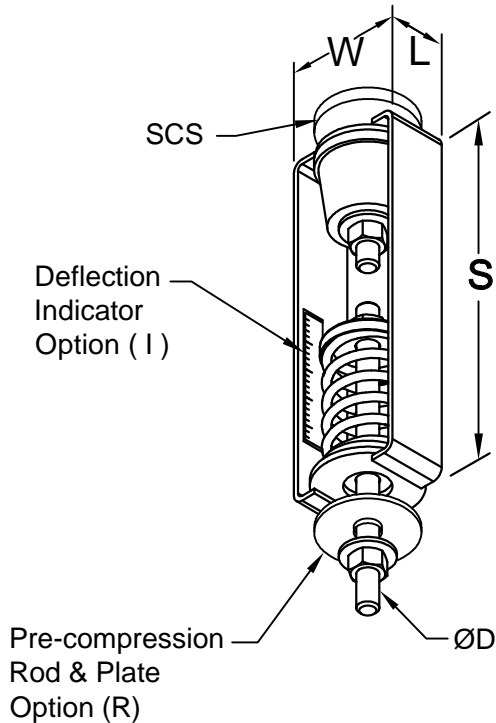
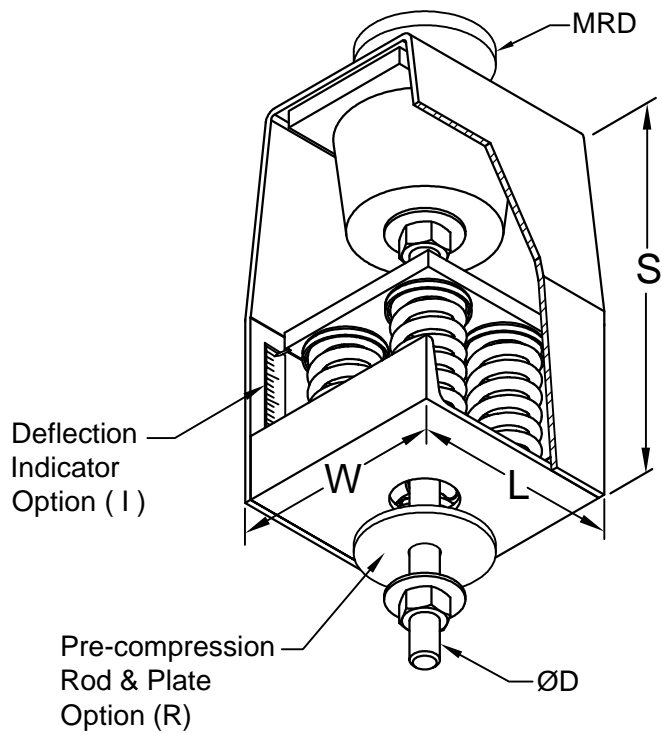


**BASIC HANGER**  
**HHSCS-E21 - HHSCS-E1060**



**\* EXTRA STRENGTH HANGER**  
**HHSCS- E1580 - HHSCS-2860**



**Notes:**

Spring rated deflection 2"  
 + Neoprene rated deflection  
 1/2" = 2-1/2" deflection.

Free Height Listed = SFH

Neoprene Free Height = NFH

★ The housing of these units are specially reinforced for extra strength.

**Rod Diameter (RD)**

Rod, nuts and washers are by others.

**Minimum Additional Travel**

50% of rated deflection at rated load.

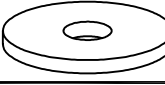
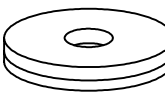
**Installation Instruction**

See file F96

**Hanger Location**



Hanger Selection	Hanger Location

Seismic Cushion Stop (SCS)	
	Upper Long Life Rubber Cushion
	Lower Long Life Rubber Cushion bonded to steel plate.

**TYPICAL CALLOUT**

HH - E106 - R1  
 (Type) - (Load) - (Options)

HHSCS Max. Load (lbs)	DIMENSIONS (Inches)						
	SFH	NFH	S	W	L	Stop Plate	ØD
E21	2-5/8	1-1/2	6-1/2	3-5/8	2-1/2	2-3/8	3/8
E55	2-3/4						
E79	2-5/8						
E106		1-3/4	7-1/2	3-1/4	2-3/4	1/2	
E143	2-3/8						
E187		3	2-3/8				
E244				1-3/4	7-1/2	3-1/4	2-3/4
E318	3						
E415		2-3/8					
E500	3-1/4		2-1/2	9-3/4	3-7/8	3-1/4	3/4
715		4-1/4					
1060							
1580 *							
2044 *							
2860 *							



CALIFORNIA DYNAMICS CORPORATION  
 20500 PRAIRIE ST. CHATSWORTH CA, 91311  
 Phone 323-223-3882  
 Email: caldyn@caldyn.com

"CALL US - TO SET THINGS RIGHT"

JOB:

CUSTOMER:

TAG:

Dwg. No.

F355

PREP By:

CHKD By:

DO NOT SCALE DRAWING

Date

11/30/16

Date

Date

TYPE

**HHSCS**

COMBINATION HANGER  
 SPRING & NEOPRENE  
 WITH  
 SEISMIC CUSHION STOP  
 1-1/2" DEFLECTION