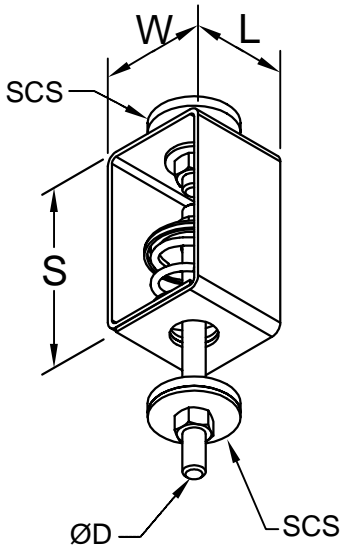
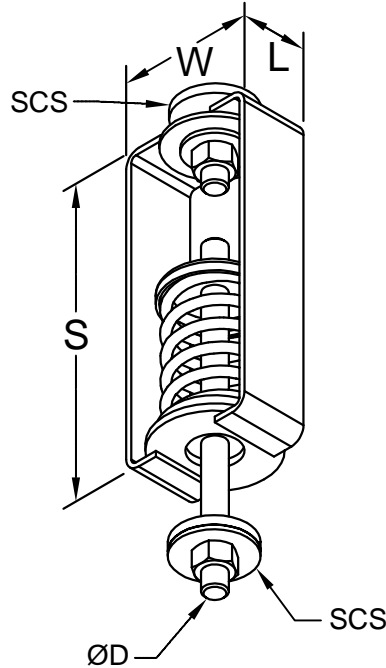


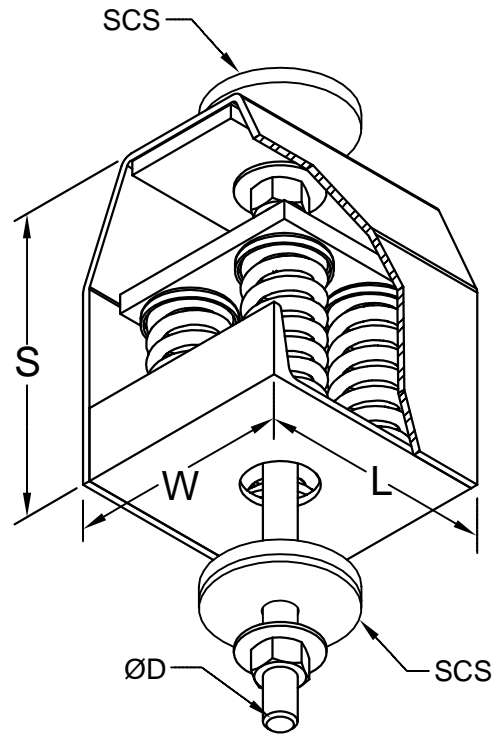
**LIGHT WEIGHT HANGER**  
CHSCS-E21 - CHSCS-E415



**BASIC HANGER**  
CHSCS-E500 - CHSCS-E1060



**EXTRA STRENGTH HANGER**  
CHSCS-E1580 - CHSCS-E2860



**Notes:**

Spring rated deflection 1".

Free Height Listed = SFH

All housing sizes have been tested to carry 5 times maximum load without failure.

\*The housings of these units are specially reinforced for extra strength.

**Rod Diameter (RD)**

Rod, nuts and washers are by others.

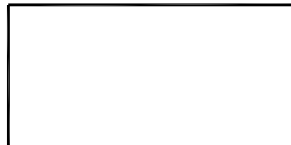
**Minimum Additional Travel**

50% of rated deflection at rated load.

**Installation Instructions**

See file F96

**Hanger Location**



Hanger Selection	Hanger Location

**Seismic Cushion Stop (SCS)**



Upper Long Life Rubber Cushion



Lower Long Life Rubber Cushion bonded to steel plate.

**TYPICAL CALLOUT**

CHSCS - E143  
(Type) - (Load)

CHSCS Max. Load (lbs)	DIMENSIONS (Inches)					
	SFH	S	W	L	Stop plate	ØD
E 21	2-5/8	4-3/4	2-3/4	2-1/2	2-3/8	3/8
E 55	2-3/4					
E 79	2-5/8					1/2
E 106						
E 143	2-3/4	5/8				
E 187						
E 244	2-3/4	7-1/2	3-1/4	2-3/4	3	3/4
E 318	3-1/8					
E 415	3-1/16					
E 500	3-1/4	4-1/4	8-3/8	6	6	3
715	7-1/2					
1060						
1580 *						
2044 *		4-1/4	7/8			
2860 *						



CALIFORNIA DYNAMICS CORPORATION  
20500 PRAIRIE ST. CHATSWORTH CA, 91311  
Phone 323-223-3882  
Email: caldyn@caldyn.com

"CALL US - TO SET THINGS RIGHT"

JOB:

CUSTOMER:

TAG:

Dwg. No.

F354

PREP By:

CHKD By:

DO NOT SCALE DRAWING

Date

10/12/16

Date

Date

TYPE

**CHSCS**

SPRING HANGER  
WITH  
SEISMIC CUSHION STOP  
1" DEFLECTION