

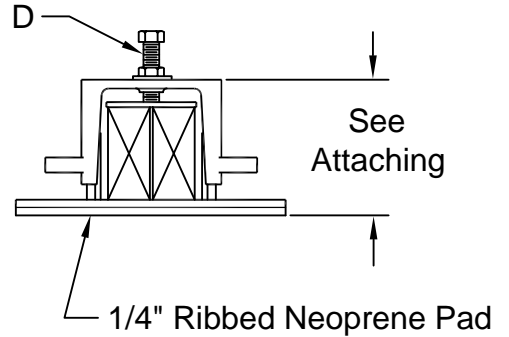
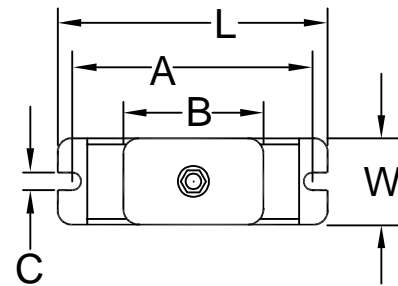
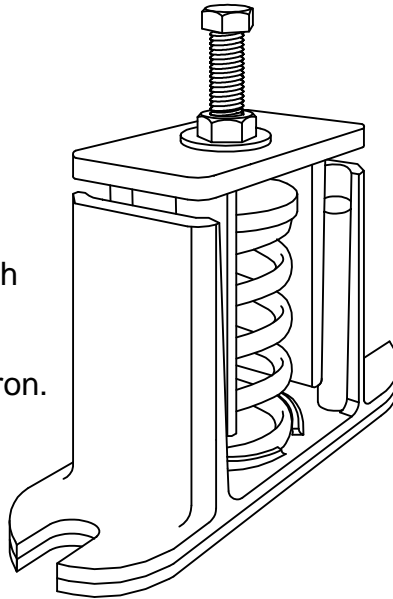
Notes:

Dimensions are in inches.

Protection for Medium and High speed equipment.

Telescoping Housing Ductile Iron.

Choice of 3 attaching configurations.



FREE HEIGHT-SEE BELOW

Typical Operating 5-1/2 to 6 Height
min. 5, max. 6-1/2

ATTACHING

T External Load Transfer Bolted Attaching

5 3/4

Most commonly used. "t" must be approximately 4 inches or greater.

U Internal Load Transfer Gravity Attaching

Felt Pad

6 1/2

Usually used under concrete blocks or flat bottomed equipment.

V Internal Load Transfer Stud Attaching

6 1/2

Used when clearance over hole is as little as 2 inches. Allows preset to speed installation.

TYPICAL CALLOUT

Type TJB 244 Attaching T

Max. Load

P/N	A	B	C	D	L	W
TJB	5 3/8	4 7/16	3/16	1/2-UNC	6 5/8	2
TJC	12	7	5/8	5/8-UNC	13	2 3/8
TJE	12	7	1 1/16	5/8-UNC	13	4 5/8

1 SPRING			2 SPRING			4 SPRINGS					
TYPE	Max. Load (lbs.)	Max. Defl. (inches)	Spring Rate (lbs/in)	TYPE	Max. Load (lbs.)	Max. Defl. (inches)	Spring Rate (lbs/in)	TYPE	Max. Load (lbs.)	Max. Defl. (inches)	Spring Rate (lbs/in)
TJB 21	21	1.13	18	TJC 42	42	1.13	36	TJE 84	84	1.13	72
TJB 55	55	1.13	49	TJC 110	110	1.13	98	TJE 220	220	1.13	196
TJB 79	79	1.13	70	TJC 158	158	1.13	140	TJE 316	316	1.13	280
TJB 106	106	1.13	94	TJC 212	212	1.13	188	TJE 424	424	1.13	376
TJB 120	120	2.30	52	TJC 240	240	2.30	104	TJE 480	480	2.30	208
TJB 155	155	2.20	70	TJC 310	310	2.20	140	TJE 620	620	2.20	282
TJB 187	187	1.13	165	TJC 374	374	1.13	330	TJE 748	748	1.13	662
TJB 244	244	1.13	216	TJC 488	488	1.13	432	TJE 976	976	1.13	864
TJB 318	318	1.13	281	TJC 636	636	1.13	562	TJE 1272	1272	1.13	1124
TJB 395	395	1.80	220	TJC 790	790	1.80	440	TJE 1580	1580	1.80	880
TJB 511	511	1.50	341	TJC 1022	1022	1.50	682	TJE 2044	2044	1.50	1364
TJB 715	715	1.30	550	TJC 1430	1430	1.30	1100	TJE 2860	2860	1.30	2200
* TJB1060	1060	1.00	1060	*TJC 2120	2120	1.00	2120	*TJE 4240	4240	1.00	4240
* TJB1520	1520	.78	1950	*TJC 3040	3040	.78	3900	*TJE 6080	6080	.78	7800
* TJB1960	1960	.78	2515	*TJC 3920	3920	.78	5030	*TJE 7840	7840	.78	10060



CALIFORNIA DYNAMICS CORPORATION
20500 PRAIRIE ST. CHATSWORTH CA, 91311
Phone 323-223-3882
Email: caldyn@caldyn.com

"CALL US - TO SET THINGS RIGHT"

JOB: _____

CUSTOMER: _____

TAG: _____

Dwg. No. F335	Date
PREP By:	Date
CHKD By:	Date
DO NOT SCALE DRAWING	

TYPE

TJ

SPRING ISOLATOR
SHATTER PROOF
DUCTILE IRON