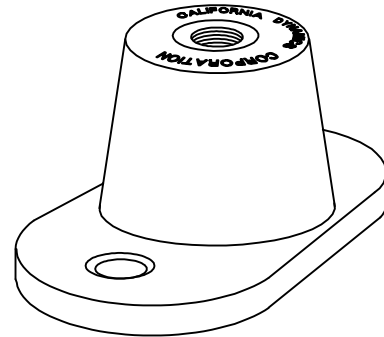


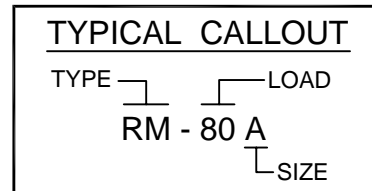
RM
1/4" Defl.



RM-D
1/2" Defl.

LOAD SELECTION CHART

| COLOR CODE | MOUNT SIZE (LOAD - POUNDS) | | | |
|-------------|----------------------------|-------|--------|--------|
| | A | B | C | F |
| Orange | 40 | 120 | — | — |
| Yellow | 55 | 200 | 300 | — |
| Green | 80 | 280 | 520 | 1800 |
| Blue | 130 | 400 | 750 | 3000 |
| White | — | — | 1100 | 5000 |
| RM Weight | .21 # | .40 # | 1.00 # | 3.30 # |
| RM-D Weight | .25 # | .50 # | 1.30 # | 4.00 # |



DIMENSIONS (Inches)

| MOUNT SIZE | L | S | W | O | T (Thread) | K | H | | J | |
|------------|--------------------------------|-------------------------------|--------------------------------|--------------------------------|------------------------------------|-------------------------------|-------------------------------|---------------------------------|--------------------------------|--------------------------------|
| | | | | | | | RM | RM-D | RM | RM-D |
| A | 3 ³ / ₁₆ | 2 ³ / ₈ | 1 ³ / ₁₆ | 1 ¹ / ₃₂ | 5 ¹ / ₁₆ -18 | 1 ¹ / ₄ | 1 | 1 ¹ / ₂ | 1 ³ / ₁₆ | 1 ⁵ / ₁₆ |
| B | 3 ⁷ / ₈ | 3 | 2 ³ / ₈ | 1 ¹ / ₃₂ | 3 ⁸ / ₁₆ -16 | 1 ³ / ₄ | 1 ¹ / ₄ | 1 ¹³ / ₁₆ | 1 ¹ / ₃₂ | 1 ⁹ / ₁₆ |
| C | 5 ¹ / ₂ | 4 ¹ / ₈ | 3 ¹ / ₄ | 9 ⁹ / ₁₆ | 1 ¹ / ₂ -13 | 2 ¹ / ₂ | 1 ¹ / ₂ | 2 ¹ / ₂ | 1 ¹ / ₄ | 2 ¹ / ₄ |
| F | 7 ¹ / ₂ | 6 ¹ / ₈ | 4 ⁷ / ₈ | 9 ⁹ / ₁₆ | 5 ⁸ / ₁₆ -11 | 4 ³ / ₈ | 1 ⁵ / ₈ | 2 ³ / ₄ | 1 ³ / ₈ | 2 ¹ / ₂ |



CALIFORNIA DYNAMICS CORPORATION
5572 ALHAMBRA AVE. LOS ANGELES CA, 90032
PH. 323-223-3882 FAX. 323-223-7941
email: caldyn@earthlink.net

"CALL US - TO SET THINGS RIGHT"

Assoc. Member



JOB:

CUSTOMER:

TAG:

Dwg. No.

F575

PREP By:

CHKD By:

DO NOT SCALE DRAWING

Date

2/24/16

Date

Date

TYPE

RM
&
RM-D

NEOPRENE MOUNT