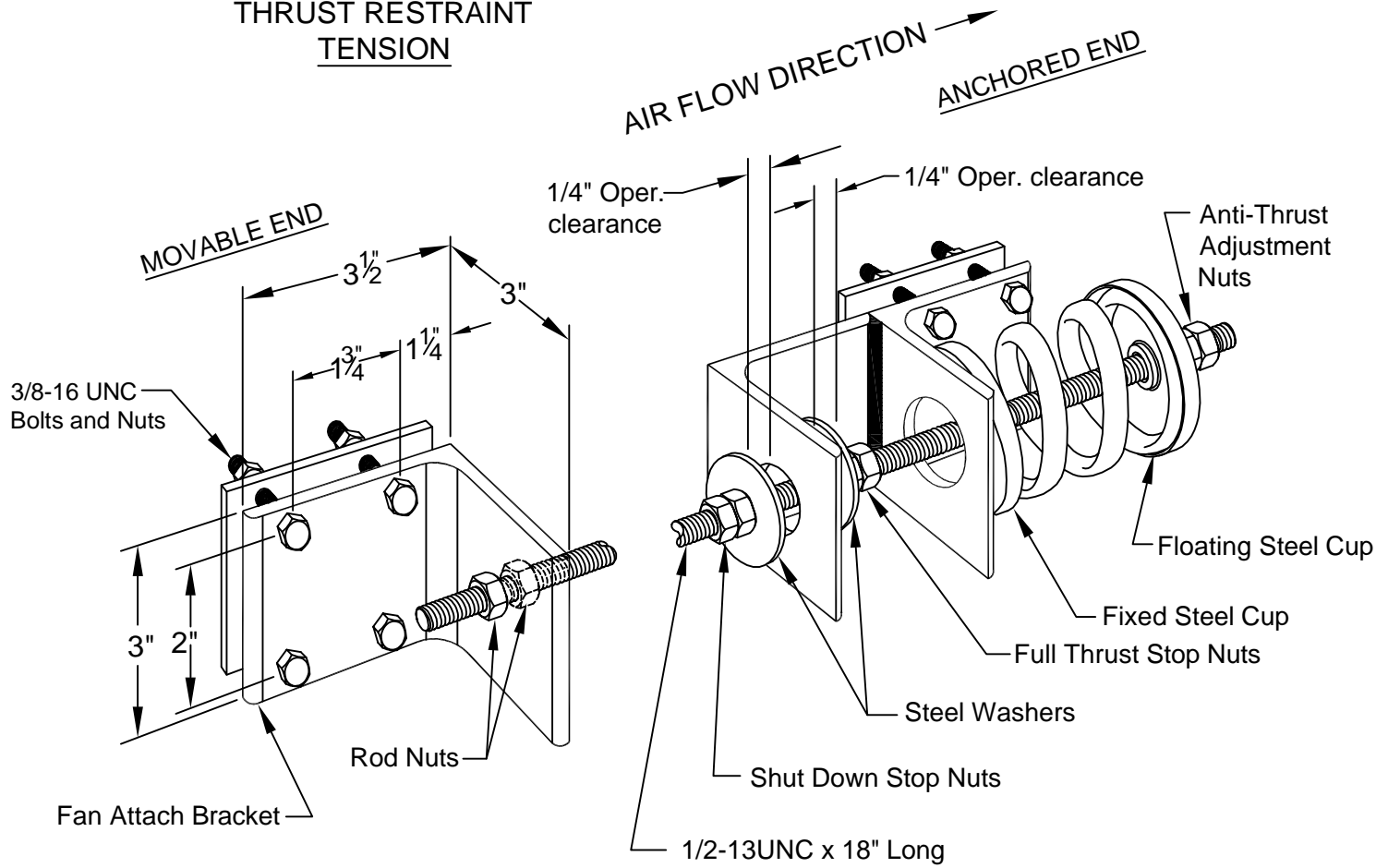
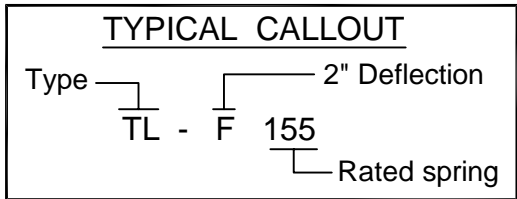


THRUST RESTRAINT TENSION



Notes:
Dimensions are in inches

Installation Instructions
See file F68



2" Deflection	
Spring	Rated Lbs.
F 120	120
F 155	155
F 195	195
F 312	312
F 348	348
F 497	497

CALDYN
CALIFORNIA DYNAMICS CORPORATION
5572 ALHAMBRA AVE. LOS ANGELES CA, 90032
PH. 323-223-3882 FAX. 323-223-7941
email: caldyn@earthlink.net
"CALL US - TO SET THINGS RIGHT"
Assoc. Member

JOB: _____

CUSTOMER: _____

TAG: _____

Dwg. No. F312	Date 11/23/16
PREP By:	Date
CHKD By:	Date
DO NOT SCALE DRAWING	

TYPE

TL

THRUST RESTRAINT