

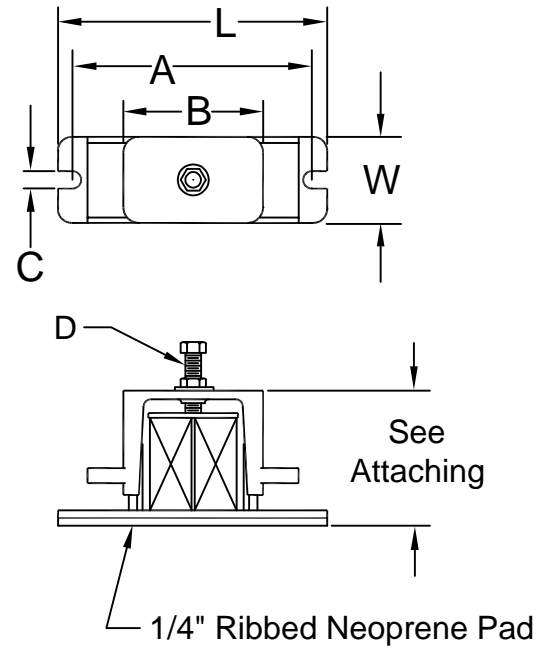
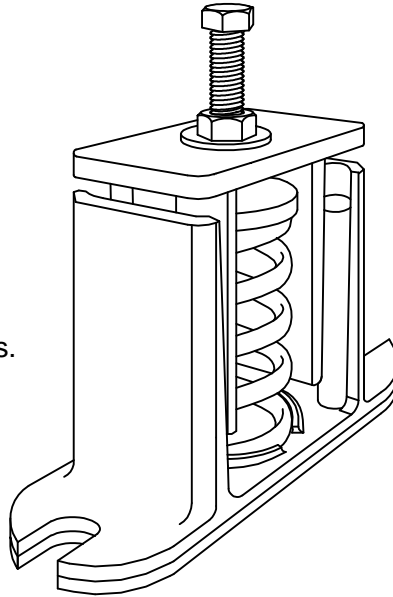
**Notes:**

Dimensions in inches.

Protection for Medium and High speed equipment.

Telescoping Housing Ductile Iron.

Choice of 3 attaching configurations.



**FREE HEIGHT-SEE BELOW**  
 Typical Operating 5-1/2 to 6 Height  
 min. 5, max. 6-1/2

ATTACHING	
<b>T</b>	External Load Transfer Bolted Attaching
<p>Most commonly used. "t" must be approximately 4 inches or greater.</p>	
<b>U</b>	Internal Load Transfer Gravity Attaching
<p>Usually used under concrete blocks or flat bottomed equipment.</p>	
<b>V</b>	Internal Load Transfer Stud Attaching
<p>Used when clearance over hole is as little as 2 inches. Allows preset to speed installation.</p>	

**TYPICAL CALLOUT**

Type TJB 244 Attaching T

Max. Load

P/N	A	B	C	D	L	W
TJB	5 3/8	4 7/16	3/16	1/2-UNC	6 5/8	2
TJC	12	7	5/8	5/8-UNC	13	2 3/8
TJE	12	7	1 1/16	5/8-UNC	13	4 5/8

1 SPRING			
TYPE	Max. Load (lbs.)	Max. Defl. (Inches)	Spring Rate (lbs/in)
TJB 21	21	1.13	18
TJB 55	55	1.13	49
TJB 79	79	1.13	70
TJB 106	106	1.13	94
TJB 120	120	2.30	52
TJB 155	155	2.20	70
TJB 187	187	1.13	165
TJB 244	244	1.13	216
TJB 318	318	1.13	281
TJB 395	395	1.80	220
TJB 511	511	1.50	341
TJB 715	715	1.30	550
*TJB 1060	1060	1.00	1060
*TJB 1520	1520	.78	1950
*TJB 1960	1960	.78	2515

2 SPRING			
TYPE	Max. Load (lbs.)	Max. Defl. (Inches)	Spring Rate (lbs/in)
TJC 42	42	1.13	36
TJC 110	110	1.13	98
TJC 158	158	1.13	140
TJC 212	212	1.13	188
TJC 240	240	2.30	104
TJC 310	310	2.20	140
TJC 374	374	1.13	330
TJC 488	488	1.13	432
TJC 636	636	1.13	562
TJC 790	790	1.80	440
TJC 1022	1022	1.50	682
TJC 1430	1430	1.30	1100
*TJC 2120	2120	1.00	1120
*TJC 3040	3040	.78	3900
*TJC 3920	3920	.78	5030

4 SPRINGS			
TYPE	Max. Load (lbs.)	Max. Defl. (Inches)	Spring Rate (lbs/in)
TJE 84	84	1.13	72
TJE 220	220	1.13	196
TJE 316	316	1.13	280
TJE 424	424	1.13	376
TJE 480	480	2.30	208
TJE 620	620	2.20	282
TJE 748	748	1.13	662
TJE 976	976	1.13	864
TJE 1272	1272	1.13	1124
TJE 1580	1580	1.80	880
TJE 2044	2044	1.50	1364
TJE 2860	2860	1.30	2200
*TJE 4240	4240	1.00	4240
*TJE 6080	6080	.78	7800
*TJE 7840	7840	.78	10060

**CALDYN**

CALIFORNIA DYNAMICS CORPORATION  
 5572 ALHAMBRA AVE. LOS ANGELES CA, 90032  
 PH 323-223-3882 FAX 323-223-7941  
 email: caldyn@earthlink.net  
 "CALL US - TO SET THINGS RIGHT"

Assoc. Member **VISCMA**

JOB: \_\_\_\_\_

CUSTOMER: \_\_\_\_\_

TAG: \_\_\_\_\_

Dwg. No. <b>F335</b>	Date Revised <b>02/07/14</b>
PREP By:	Date
CHKD By:	Date
DO NOT SCALE DRAWING	

TYPE

**TJ**

SPRING ISOLATOR  
 SHATTER PROOF  
 DUCTILE IRON