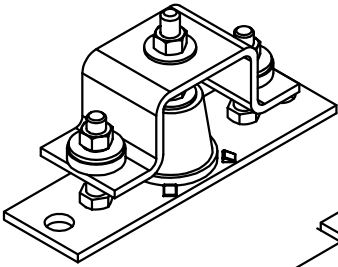
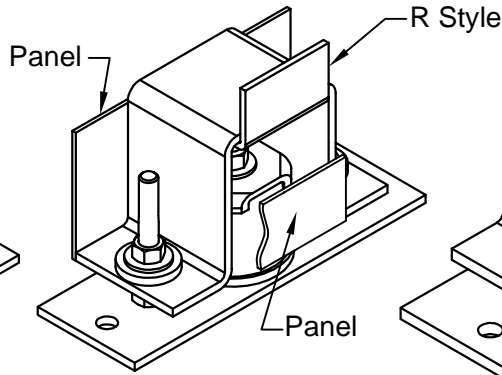
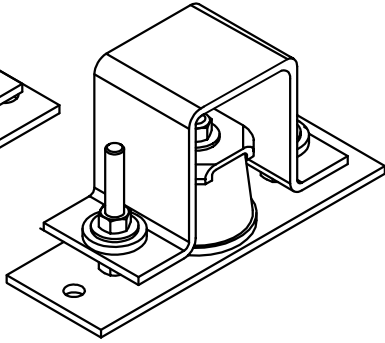


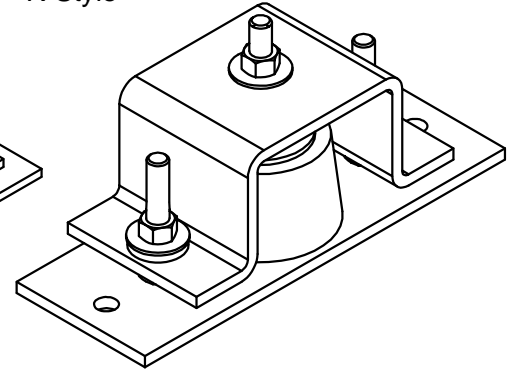
JQAM TQN 55
Style V shown



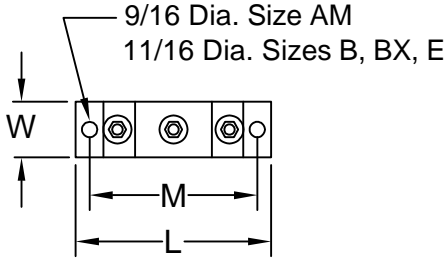
JQB TQN 520
Style U shown



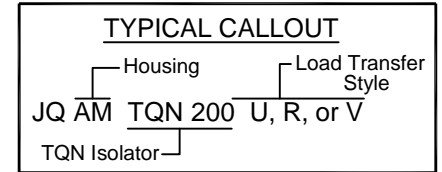
JQBX TQN 520
Style R shown



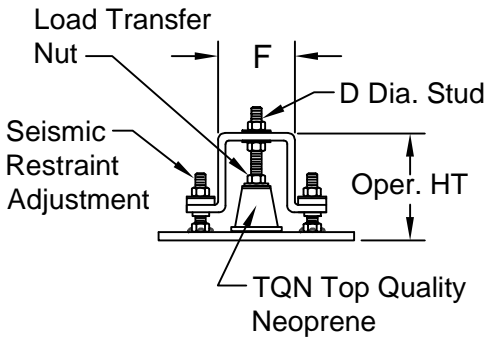
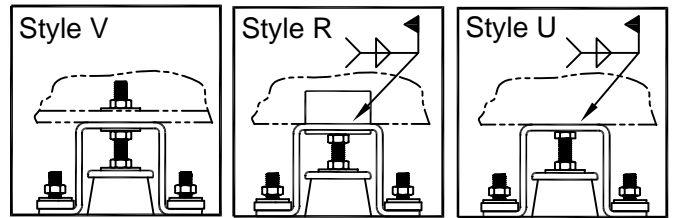
JQE TQN 4200
Style V shown



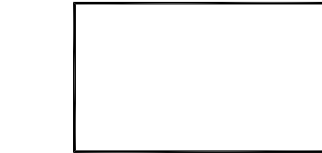
PANELS	
JQB	No
JQBX	Yes



Load Transfer Styles



Isolator Locations



Isolator Locations	Isolator Selections

Housing Size	L	W	M	F	D	Approximate Oper. Height
AM	7	2	6	2 ³ / ₄	3 ³ / ₈	2 ³ / ₄
B & BX	10 ¹ / ₂	3 ¹ / ₂	9	4	1 ¹ / ₂	5
E	14	5	12	6	5 ⁵ / ₈	5

Notes:
Dimensions are in inches.
Loads in pounds.

Adjust Load Transfer Nut for proper operation.

Surface Treatments
Housing: Hot Dip Galvanized (HDG)
Hardware: Zinc Plated.

Installation Instructions
See file F75.

OPA - 0070
PRE-APPROVED HOUSING ALLOWABLE LOADS

SIZE	HORIZ.	VERT.
AM	600	900
B	1000	1600
BX	1500	2000
E	3200	4300

RATED STATIC DEFLECTION 1/2"

JQAM Size		JQB & BX Size		JQE Size	
Isolator Rating lbs.	Color Code	Isolator Rating lbs.	Color Code	Isolator Rating lbs.	Color Code
40	YELLOW	300	YELLOW	1700	GREEN
55	GREEN	520	GREEN	2700	BLUE
80	BLUE	750	BLUE	4200	WHITE
120	ORANGE	1100	WHITE	5000	WHITE
200	YELLOW				
280	GREEN				
400	BLUE				



CALIFORNIA DYNAMICS CORPORATION
5572 ALHAMBRA AVE. LOS ANGELES CA, 90032
PH. 323-223-3882 FAX. 323-223-7941
email: caldyn@earthlink.net

"CALL US - TO SET THINGS RIGHT"

Assoc. Member



JOB: _____
CUSTOMER: _____
TAG: _____

Dwg. No. **F310** Date **7/12/16**
PREP By: _____ Date _____
CHKD By: _____ Date _____
DO NOT SCALE DRAWING

TYPE
JQ-TQN
TOP QUALITY NEOPRENE ISOLATOR/RESTRAINTS WITH CALIFORNIA PRE-APPROVED
OPA - 0070
1/2" DEFLECTION