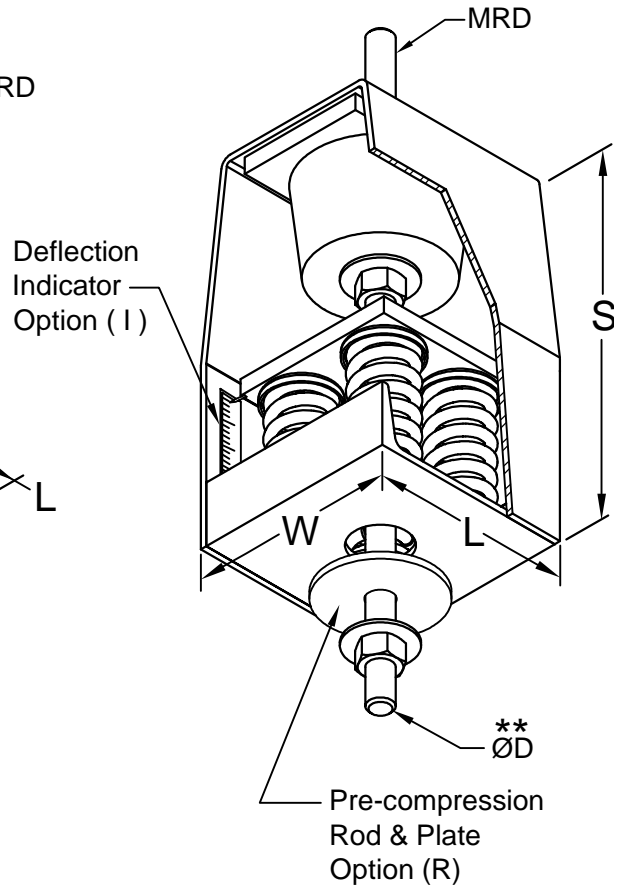
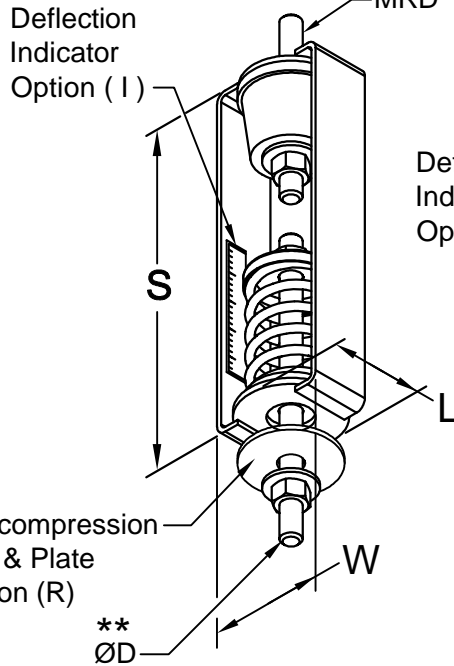
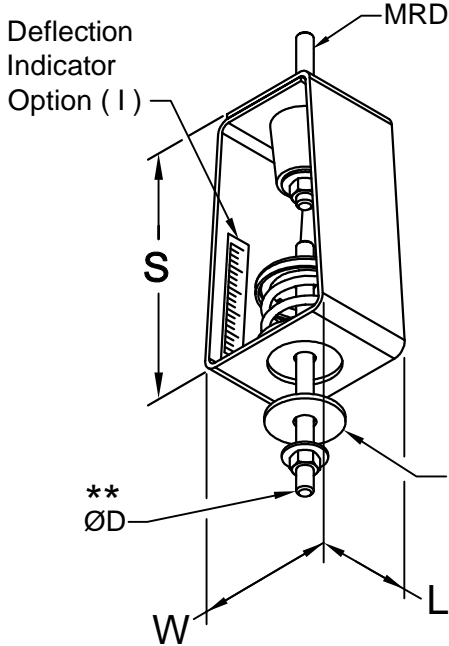


***EXTRA STRENGTH HANGER
HH-E1580 - HH-2860**

**BASIC HANGER
HH-E21 - HH-E1060**

**BASIC HANGER
HH-E21 - HH-E1060**



Notes:

Spring rated Deflection 1" + Neoprene rated Deflection 1/2" = 1-1/2" Deflection.

* The housings of these units are specially reinforced for extra strength.

** The pre-compression rod is furnished with units which have the " R " option. This rod will extend about 3" below the bottom of the hanger housing.

Maximum Rod Diameter (MRD)
Rod, nuts and washers by others.

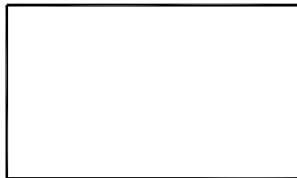
Minimum Additional Travel
50% of required deflection at rated load.

Installation Instructions
See file F96

TYPICAL CALLOUT

HH - E 106 - R I
(Type) - (Load) - (Options)

Hanger Location



Hanger Selection	Hanger Selection

HH Max. Load (lbs)	DIMENSIONS (Inches)				
	S	W	L	MRD	ØD
E21 E55 E79 E106 E143	6-1/2	3-5/8	2-1/2	1/2	3/8
1/2					
E187 E244	7-1/2	3-1/4	2-3/4		1/2
E318 E415	9-3/4	3-7/8	3-1/4	3/4	5/8
E500 715 1060					3/4
1580 * 2044 * 2860 *	11-3/8	6-1/2	6	7/8	7/8



CALIFORNIA DYNAMICS CORPORATION
5572 ALHAMBRA AVE. LOS ANGELES CA, 90032
PH. 323-223-3882 FAX. 323-223-7941
email: caldyn@earthlink.net

"CALL US - TO SET THINGS RIGHT"

Assoc. Member



JOB: _____

CUSTOMER: _____

TAG: _____

Dwg. No. **F360** Date **11/30/16**

PREP By: _____ Date _____

CHKD By: _____ Date _____

DO NOT SCALE DRAWING

TYPE
HH
COMBINATION HANGER
SPRING & NEOPRENE
1-1/2" DEFLECTION