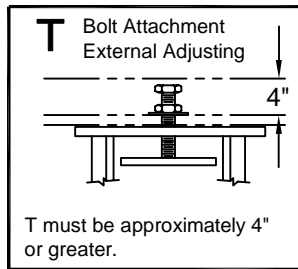


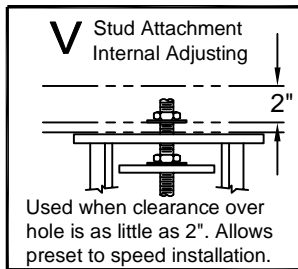
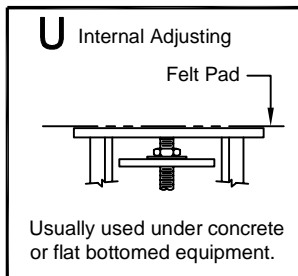
ATTACHMENT STYLES & ADJUSTING

Operation height equal free height or less depending on load and adjustment

HA Minimum free height style T



HR Minimum free height styles U & V



Operating height may equal free or less height depending on load adjustment

Notes:

SHOCK PROTECTION AND VIBRATION ISOLATION

Steel compression springs rated up to 7840 lbs per mount.

SHOCK PROTECTION

- PUNCH PRESSES
- SHEARS
- HAMMER MILLS
- ROCK CRUSHERS
- MUD PUMPS
- DRILLING DERRICKS

VIBRATION ISOLATION

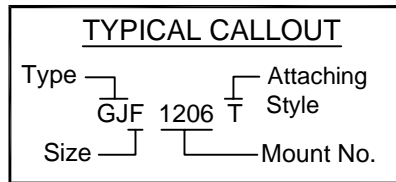
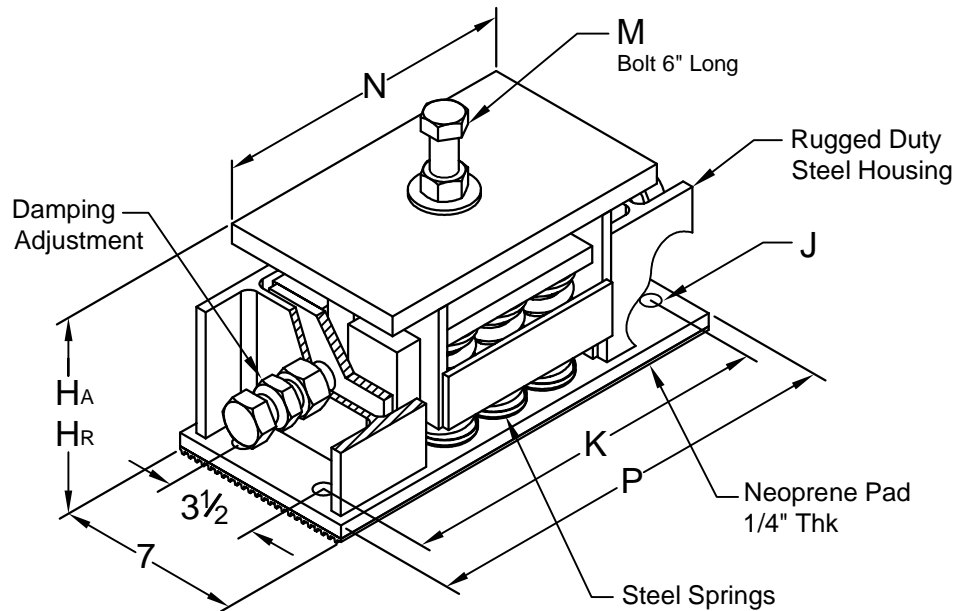
- CENTRIFUGAL FANS
- GENERATOR SETS
- SHAKER SCREENS
- PEBBLE MILLS

Dimensions are in inches. Weights are in pounds.

Installation Instructions

See file F81

Attachment Style T shown



DIMENSIONS								
Size	P	K	J	N	M	H _A	H _R	Ship.Wt.
F	14	12	11/16	11	3/4	6 1/2	7 1/4	70
G-H	16	14	11/16	11 1/2	7/8	6 1/2	7 1/4	85
J	19	17	13/16	15	1	6 3/4	7 1/2	100

6 SPRINGS		
Mount No.	Max. Load (Lbs)	Spring Rate (Lbs/in)
GJF 1206	1.70	709
GJF 1464	1.13	1295
GJF 1776	1.60	1110
GJF 1908	1.13	1688
GJF 2370	1.80	1320
GJF 3066	1.50	2046
GJF 4290	1.30	3300
GJF 6360	1.00	6360
GJF 9120	.78	11700
GJF 11760	.78	15090

9 SPRINGS		
Mount No.	Max. Load (Lbs)	Spring Rate (Lbs/in)
GJG 3555	1.80	1980
GJG 4599	1.50	3069
GJG 6435	1.30	4950
GJG 9540	1.00	9540
GJG 13680	.78	17550
GJG 17640	.78	22635
GJH 19620	.75	26160

12 SPRINGS		
Mount No.	Max. Load (Lbs)	Spring Rate (Lbs/in)
GJJ 26160	.75	34880



CALIFORNIA DYNAMICS CORPORATION
5572 ALHAMBRA AVE. LOS ANGELES CA, 90032
PH. 323-223-3882 FAX. 323-223-7941
email: caldyn@earthlink.net

"CALL US - TO SET THINGS RIGHT"

Assoc. Member VISCMA

JOB: _____

CUSTOMER: _____

TAG: _____

Dwg. No. F396	Date 3/1/16
PREP By:	Date
CHKD By:	Date
DO NOT SCALE DRAWING	

TYPE **GJ**

**RUGGED DUTY
SPRING ISOLATORS
ADJUSTABLE DAMPING
SIZES
F, G, H and J**