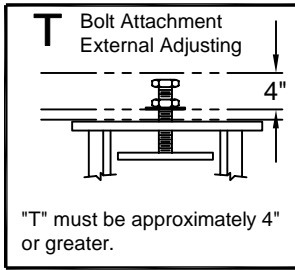


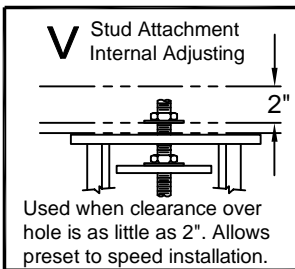
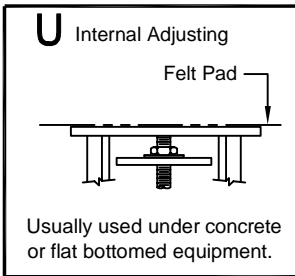
ATTACHMENT STYLES & ADJUSTING

Operation height equal free height or less depending on load and adjustment

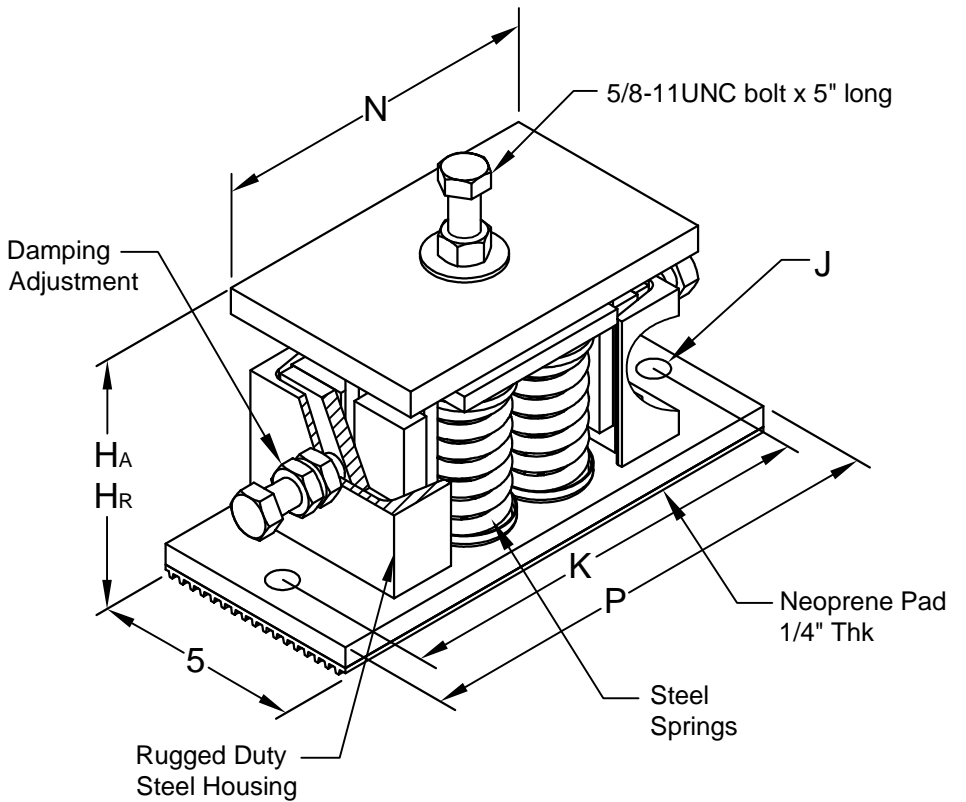
HA Minimum free height style T



HR Minimum free height styles U & V



Attachment Style T shown



TYPICAL CALLOUT

Type	GJE	592	T	Attaching Style
Size				Mount No.

DIMENSIONS						
Size	P	K	J	N	H _A	H _R
D	9-1/2	8-1/4	9/16	6	6	6-1/2
E	11-5/8	10-1/8	11/16	7-1/2	6	6-1/2

Notes:

SHOCK PROTECTION AND VIBRATION ISOLATION

Steel compression springs rated up to 7840 lbs per mount.

SHOCK PROTECTION

- PUNCH PRESSES
- SHEARS
- HAMMER MILLS
- ROCK CRUSHERS
- MUD PUMPS
- DRILLING DERRICKS

VIBRATION ISOLATION

- CENTRIFUGAL FILTERS
- GENERATOR SETS
- SHAKER SCREENS
- PEBBLE MILLS

Dimensions are in inches. Weights in pounds.

Installation Instructions

See file F81

2 SPRINGS			4 SPRINGS				
Mount No.	Max. Load (Lbs)	Max. Defl. (in)	Spring Rate (Lbs/in)	Mount No.	Max. Load (Lbs)	Max. Defl. (in)	Spring Rate (Lbs/in)
GJD 310	2.20	140		GJE 804	1.70	472	
GJD 402	1.70	236		GJE 976	1.13	864	
GJD 488	1.13	432		GJE 1184	1.60	740	
GJD 592	1.60	370					
GJD 636	1.13	562		GJE 1272	1.13	1124	
GJD 790	1.80	440		GJE 1580	1.80	880	
GJD 1022	1.50	682		GJE 2044	1.50	1364	
GJD 1430	1.30	1100		GJE 2860	1.30	2200	
GJD 2120	1.00	2120		GJE 4240	1.00	4240	
GJD 3040	.78	3900		GJE 6080	.78	7800	
GJD 3920	.78	5030		GJE 7840	.78	10060	



CALIFORNIA DYNAMICS CORPORATION
5572 ALHAMBRA AVE. LOS ANGELES CA, 90032
PH. 323-223-3882 FAX. 323-223-7941
email: caldyn@earthlink.net

"CALL US - TO SET THINGS RIGHT"

Assoc. Member



JOB:

CUSTOMER:

TAG:

Dwg. No.

F395

PREP By:

CHKD By:

DO NOT SCALE DRAWING

Date

3/1/16

Date

Date

TYPE

GJ

RUGGED DUTY
SPRING ISOLATORS
ADJUSTABLE DAMPING
SIZE
D & E