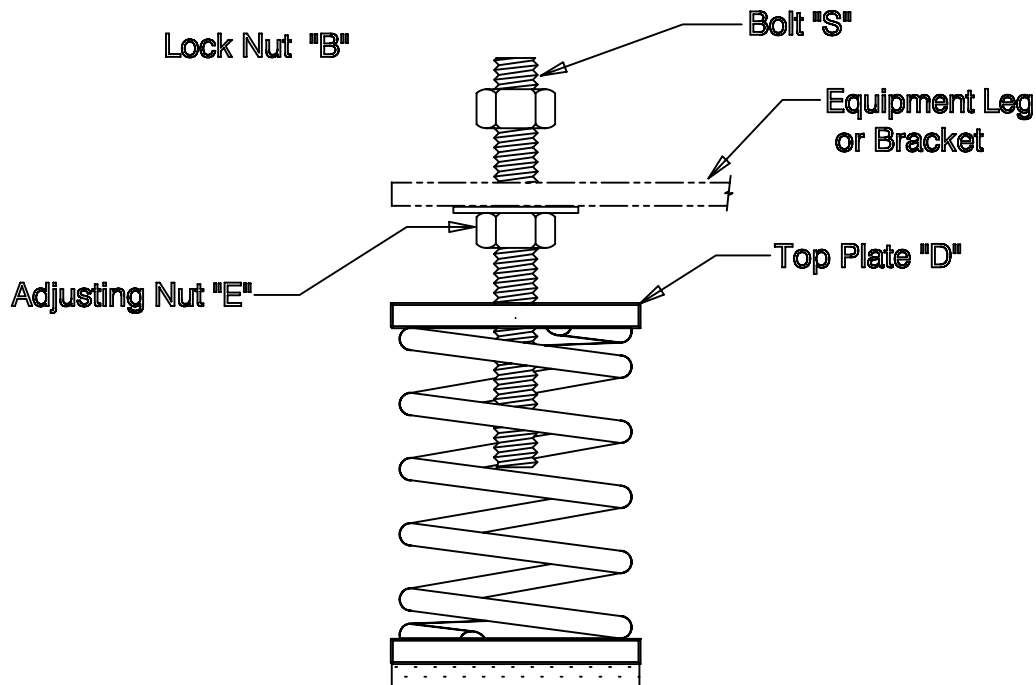


TYPE SS  
INSTALLATION  
INSTRUCTIONS

FILE 33



1. Locate mounts to 1/4" of a common horizontal plane. Shim or grout if required.
2. Remove lock nut "B" and turn down adjusting nut "E" until contact is made with top plate "D".
3. Lower equipment onto mounts and check their positioning. If necessary, raise the equipment & reposition the mounts.
4. Mounts maybe installed dry or cemented to the mounting surface.
5. Turn leveling nut "E" two turns on each isolator making a complete circuit of all isolators until the equipment clears the floor by the amount intended. If equipment is not level, turn up adjusting nut "E" on isolators at low end of equipment until equipment is leveled. (NOTE: Do not unscrew bolt "S" from top plate of isolators).
6. Tighten lock nut "B".