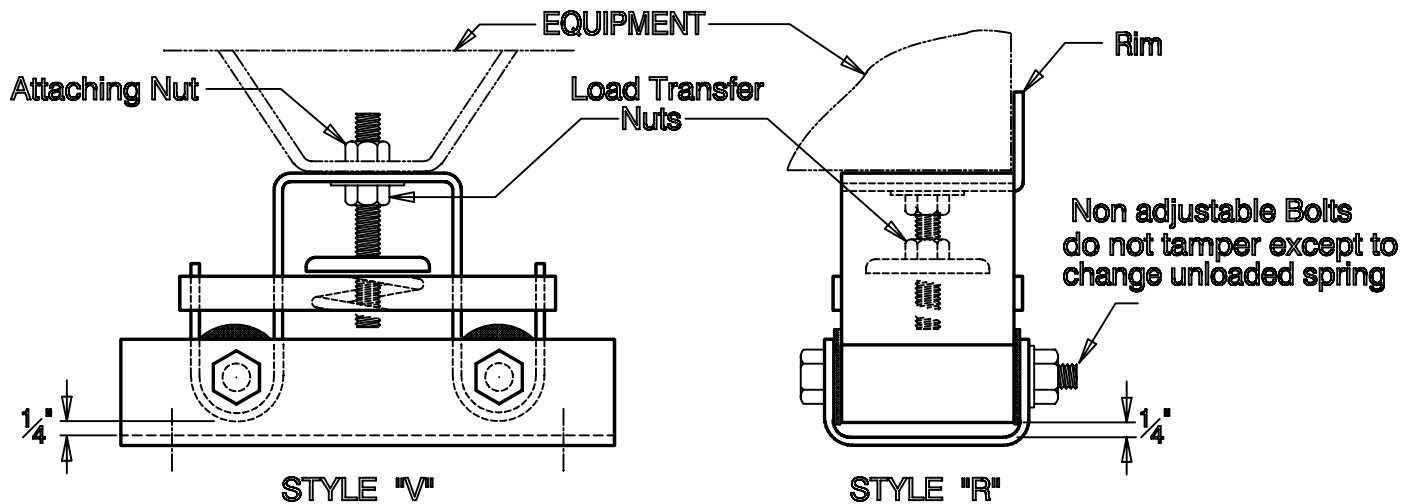


TYPE QS
TYPE QSJ
TYPE QSL

INSTALLATION INSTRUCTIONS
SPRING
ISOLATOR RESTRAINTS
FILE 99



TO OUR CUSTOMER

You have purchased a high quality Isolator Restraint (I.R.) which should provide excellent vibration isolation & earthquake protection if installed properly.

1. Support equipment on blocks at the desired location. Equipment should be level and at the proper elevation to be supported by the I. R.'s.
2. Place collapsed I. R.'s. where they belong vertical clearance between the I. R. and equipment should be less than 1/8". Shim if necessary.
3. Adjust load transfer nuts on each I. R. until the operating height is attained resulting in approx. 1/4" clearance above the baseplate.
4. Engage & tighten attaching nut on the style "V" I. R.
5. On the style "R" I. R., attaching can be made by drilling holes into the rim of the I. R. and equipment by using screws. Before doing this, check to be sure that there will be no interference or damage to the equipment.
6. Isolator base plate can be bolted and/or welded to a supporting

CAUTION: TYPES QS ISOLATOR RESTRAINTS ARE NOT TO BE USED FOR LIFTING EQUIPMENT.