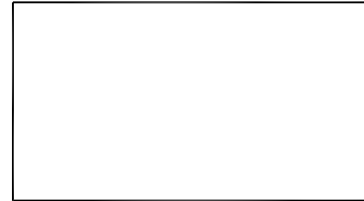


Style R
for attaching
to side of
equipment

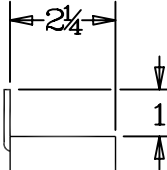
ISOLATOR
LOCATION



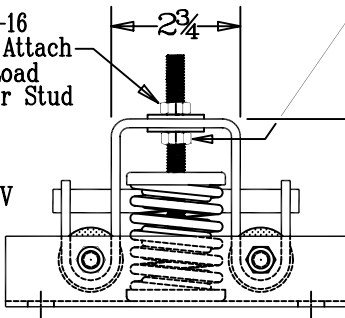
3/8-16
Equip. Attach
& Load
Transfer Stud

2 3/4

Load Transfer
Nut



Style V



4
Operating
Height

Rubber Washers
Rubber Sleeve

LOCATION	SELECTION

RATED LOAD & P/N	
1" Deflection	2" Deflection
QSL	QSL
E21	F59
E55	F83
E79	F120
E106	F155
E143	F195
E187	F236
E244	F300
E318	
E415	
E500	
E633	
E801	

NOTES :

Dimensions in inches.
Loads in Pounds.

All QSL's Isolator Restraints
feature large diameter springs
with O. D. equal or greater than
80 % of rated load height.

Adjust Load Transfer Nut
for Proper Operation.

For compact support of heavy
Loads, many QSL's include
inner springs.



CALIFORNIA DYNAMICS CORP.
5572 ALHAMBRA AVENUE,
LOS ANGELES, CA 90032
PH (323) 223 3882 FX (323) 223 7941
"CALL US - TO SET THINGS RIGHT"

Assoc. Member



JOB:

DWG No.

CUST:

PREP BY:

Date:

TAG:

CHKD:

Date:

SHEET OF

REV.

TYPE QSL
SPRING
ISOLATOR/ RESTRAINT
1" & 2" DEFLECTION

REV
0