

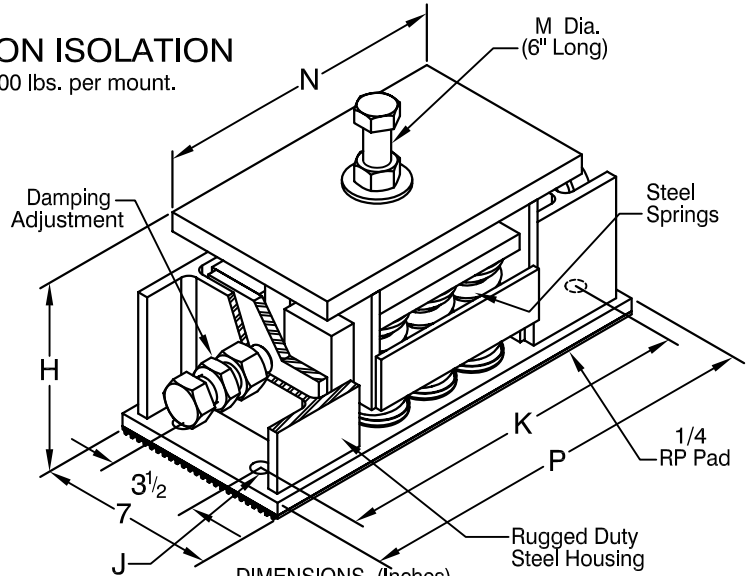
# SHOCK PROTECTION AND VIBRATION ISOLATION

Steel compression springs isolate loads of up to 23000 lbs. per mount.

## SHOCK PROTECTION      VIBRATION ISOLATION

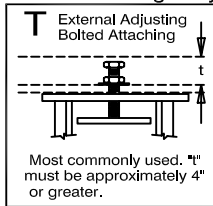
Punch Presses  
Shears  
Hammer Mills  
Rock Crushers  
Mud Pumps  
Drilling Derricks

Centrifugal Filters  
Generator Sets  
Shakers Screens  
Pebble Mills

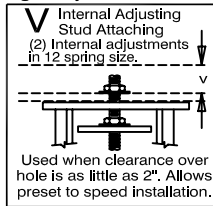
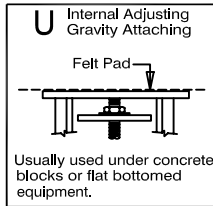


### ADJUSTING & ATTACHING STYLES

H<sub>A</sub> Minimum free height style T



H<sub>R</sub> Minimum free height styles U & V



DIMENSIONS (Inches)

Size	P	K	J	N	M	H <sub>A</sub>	H <sub>R</sub>	Approx. Ship. Wt.
F	14	12	1 1/16	11	3/4	6 1/2	7 1/4	70
G - H	16	14	1 1/16	11 1/2	7/8	6 1/2	7 1/4	85
J	19	17	1 3/16	15	1	6 3/4	7 1/2	100

### TYPICAL CALLOUT

Type \_\_\_\_\_ Attaching ?  
 Size GJ F 2370 T Mount No.

6 SPRINGS			9 SPRINGS			12 SPRINGS		
Mount No. Max. Load (Lbs)	Max. Defl. (in)	Spring Rate (Lbs/in)	Mount No. Max. Load (Lbs)	Max. Defl. (in)	Spring Rate (Lbs/in)	Mount No. Max. Load (Lbs)	Max. Defl. (in)	Spring Rate (Lbs/in)
GJF 1206 ?	1.70	709						
GJF 1464 ?	1.13	1295						
GJF 1776 ?	1.60	1110						
GJF 1908 ?	1.13	1688						
GJF 2370 ?	1.80	1320	GJG 3555 ?	1.80	1980			
GJF 3066 ?	1.50	2046	GJG 4599 ?	1.50	3069			
GJF 4290 ?	1.30	3300	GJG 6435 ?	1.30	4950			
GJF 6360 ?	1.00	6360	GJG 9540 ?	1.00	9540			
GJF 9120 ?	.78	11700	GJG 13680 ?	.78	17550			
GJF 11760 ?	.78	15090	GJG 17640 ?	.78	22635			
			GJH 19620 ?	.75	26160	GJJ 26160 ?	.75	34880

**CALDYN**  
 CALIFORNIA DYNAMICS CORP.  
 5572 ALHAMBRA AVENUE,  
 LOS ANGELES, CA 90032  
 PH (323) 223 3882 FX (323) 223 7941  
 "CALL US - TO SET THINGS RIGHT"  
 Assoc. Member

JOB:		DWG No.	
CUST:		PREP BY:	Date:
TAG:		CHKD:	Date:
SHEET OF	REV.		

TYPE **GJ**  
 (SIZES F, G, H & J)  
 RUGGED DUTY  
 SPRING ISOLATORS  
 ADJUSTABLE DAMPING

REV  
 0