

# SHOCK PROTECTION AND VIBRATION ISOLATION

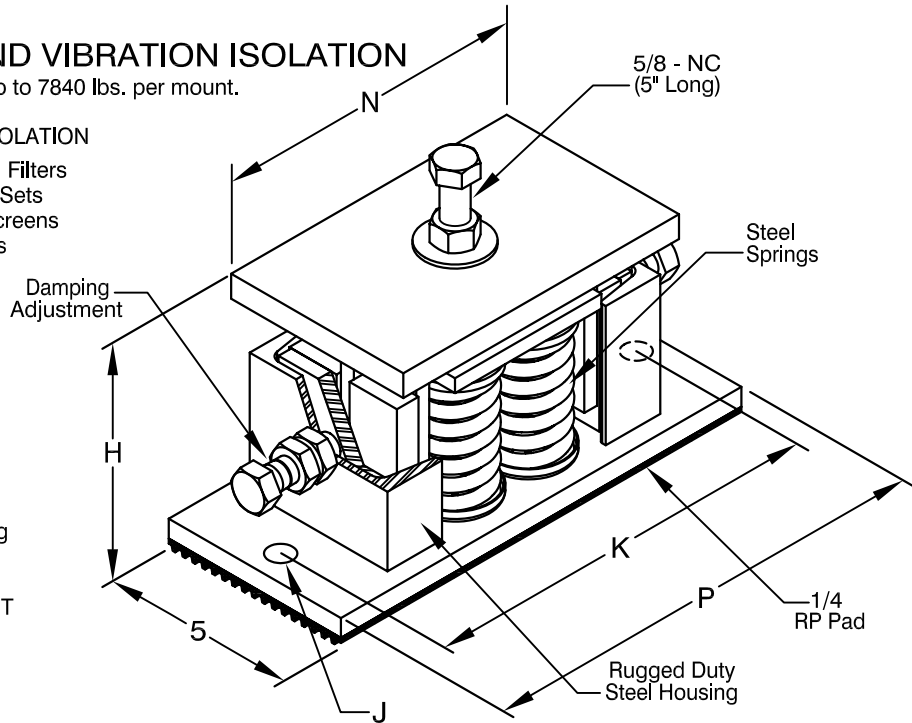
Steel compression springs rated up to 7840 lbs. per mount.

## SHOCK PROTECTION

- Punch Presses
- Shears
- Hammer Mills
- Rock Crushers
- Mud Pumps
- Drilling Derricks

## VIBRATION ISOLATION

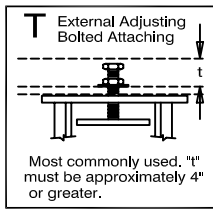
- Centrifugal Filters
- Generator Sets
- Shakers Screens
- Pebble Mills



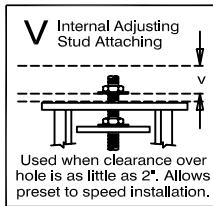
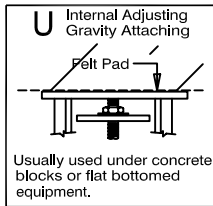
### ADJUSTING & ATTACHING STYLES

Operating height may equal free height or less depending on load and adjustment.

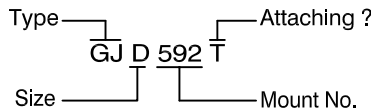
H<sub>A</sub> Minimum free height style T



H<sub>R</sub> Minimum free height style U & V



### TYPICAL CALLOUT



### DIMENSIONS (Inches)

Size	P	K	J	N	H <sub>A</sub>	H <sub>R</sub>
D	9 1/2	8 1/4	9/16	6	6	6 1/2
E	11 5/8	10 1/8	1 1/16	7 1/2	6	6 1/2

2 SPRINGS			4 SPRINGS		
Mount No.	Max. Load (Lbs)	Spring Rate (Lbs/in)	Mount No.	Max. Load (Lbs)	Spring Rate (Lbs/in)
GJD 310 ?	2 . 20	140	GJE 804 ?	1 . 70	472
GJD 402 ?	1 . 70	236	GJE 976 ?	1 . 13	864
GJD 488 ?	1 . 13	432	GJE 1184 ?	1 . 60	740
GJD 592 ?	1 . 60	370	GJD 636 ?	1 . 13	562
GJD 636 ?	1 . 13	562	GJD 790 ?	1 . 80	440
GJD 790 ?	1 . 80	440	GJD 1022 ?	1 . 50	682
GJD 1022 ?	1 . 50	682	GJD 1430 ?	1 . 30	1100
GJD 1430 ?	1 . 30	1100	GJD 2120 ?	1 . 00	2120
GJD 2120 ?	1 . 00	2120	GJD 3040 ?	. 78	3900
GJD 3040 ?	. 78	3900	GJD 3920 ?	. 78	5030
GJD 3920 ?	. 78	5030	GJE 2860 ?	1 . 30	2200
GJE 2860 ?	1 . 30	2200	GJE 4240 ?	1 . 00	4240
GJE 4240 ?	1 . 00	4240	GJE 6080 ?	. 78	7800
GJE 6080 ?	. 78	7800	GJE 7840 ?	. 78	10060
GJE 7840 ?	. 78	10060			



CALIFORNIA DYNAMICS CORP.  
5572 ALHAMBRA AVENUE,  
LOS ANGELES, CA 90032  
PH (323) 223 3882 FX (323) 223 7941

"CALL US - TO SET THINGS RIGHT"

Assoc. Member



JOB: \_\_\_\_\_

DWG No. \_\_\_\_\_

CUST: \_\_\_\_\_

PREP BY: \_\_\_\_\_

Date: \_\_\_\_\_

TAG: \_\_\_\_\_

CHKD: \_\_\_\_\_

Date: \_\_\_\_\_

SHEET OF \_\_\_\_\_

REV. \_\_\_\_\_

TYPE **GJ**  
(SIZES D & E)  
RUGGED DUTY  
SPRING ISOLATORS  
ADJUSTABLE DAMPING

REV  
0