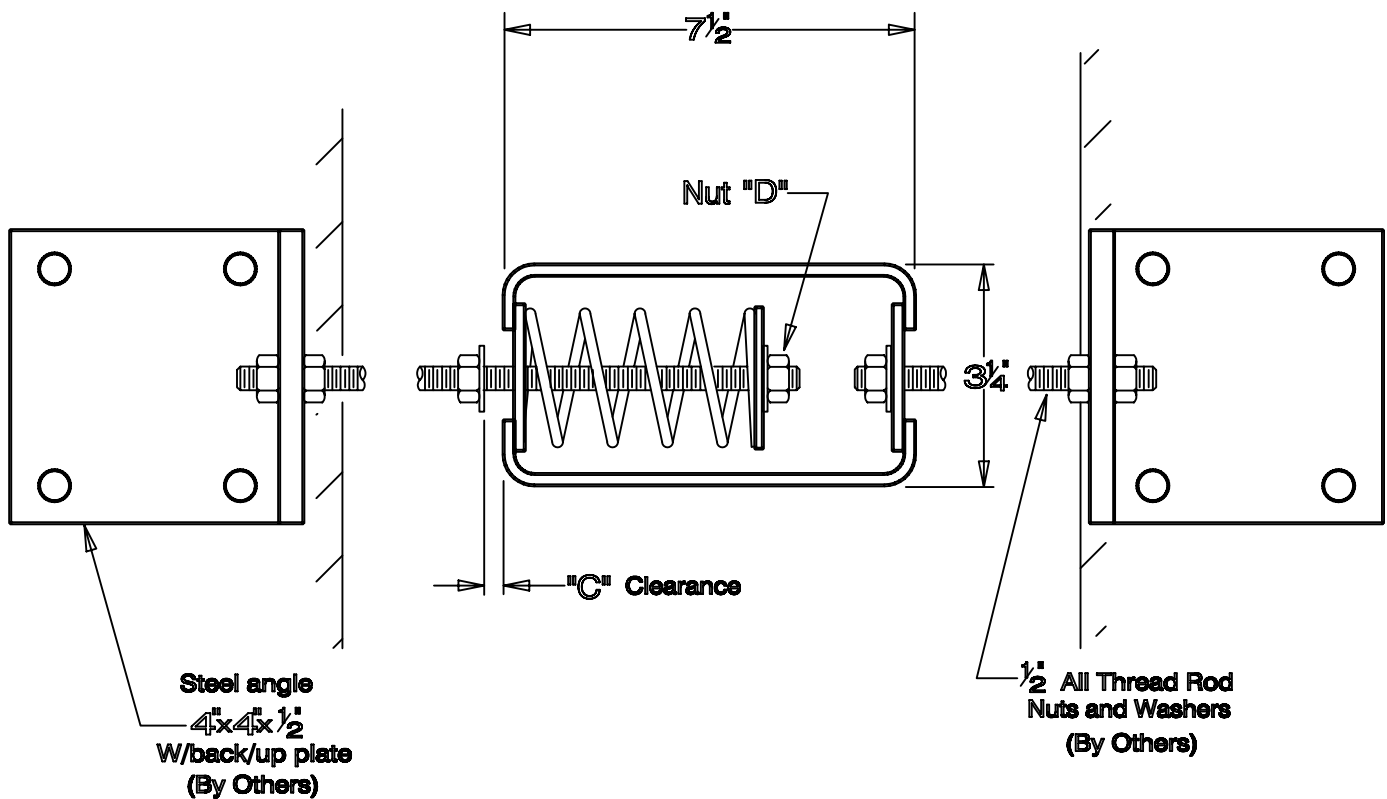


TYPE TL  
THRUST RESTRAINT

FILE 312



THRUST RESTRAINT INSTALLATION PROCEDURES :

1. Bolt angle brackets to fan and coil casing at approximate centerline of fan thrust. Check with the fan manufacturer for their recommendation as to the strength of the unit and the proper bolting location.
2. With unit turned on, operating clearance "C" must be 1/4". Turn nut "D" clockwise if "C" is greater than 1/4" and counter-clockwise if clearance is less than 1/4".
3. Operating clearance "C" will disappear when unit is turned off.