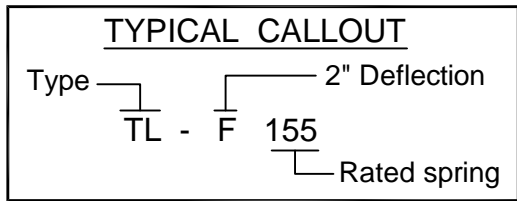
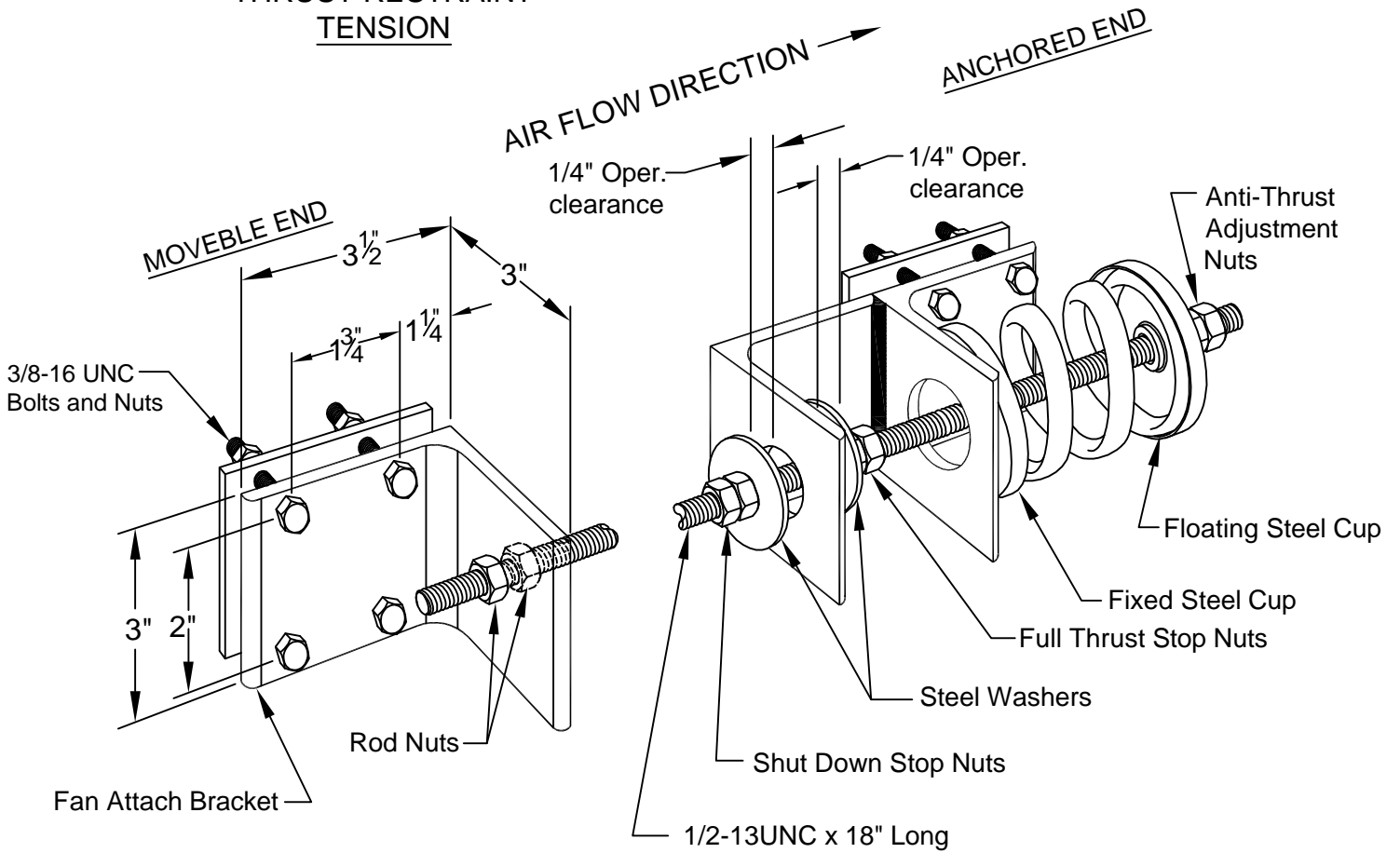


**THRUST RESTRAINT
TENSION**



TYPE TL	
2" Defl. Spring No.	Rated Lbs.
F 120	120
F 155	155
F 195	195
F 312	312
F 348	348
F 497	497

CALDYN
 CALIFORNIA DYNAMICS CORPORATION
 5572 ALHAMBRA AVE. LOS ANGELES CA, 90032
 PH 323-223-3882 FAX 323-223-7941
 email: caldyn@earthlink.net
 "CALL US - TO SET THINGS RIGHT"
 Assoc. Member **VISCMA**

JOB: _____

CUSTOMER: _____

TAG: _____

Dwg. No. F312	Date 02/10/14
PREP By:	Date
CHKD By:	Date
DO NOT SCALE DRAWING	

TYPE

TL

THRUST RESTRAINT