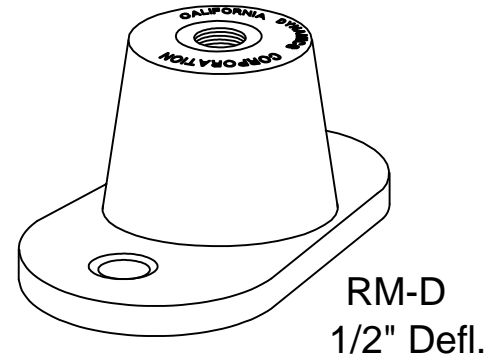
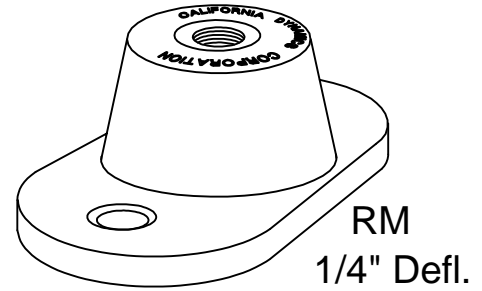
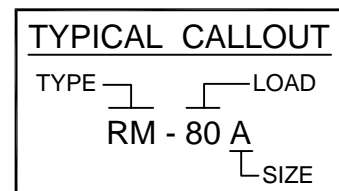
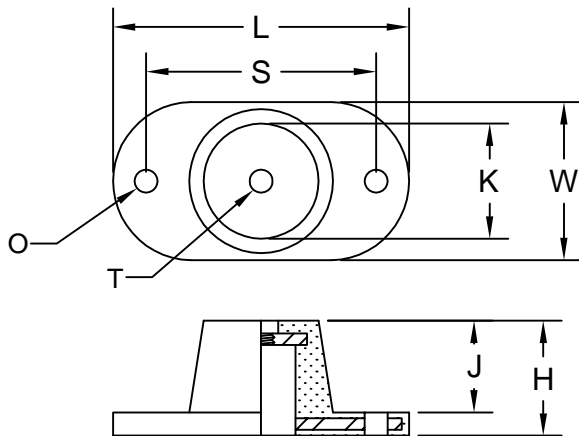


LOAD SELECTION CHART					
COLOR CODE	MOUNT SIZE (LOAD - POUNDS)				
	A	B	C	F	
Orange	40	120	—	—	
Yellow	55	200	300	—	
Green	80	280	520	1800	
Blue	130	400	750	3000	
White	—	—	1100	5000	
Weight	RM	.21 #	.40 #	1.00 #	3.30 #
	RM-D	.25 #	.50 #	1.30 #	4.00 #



DIMENSIONS (Inches)

MOUNT SIZE	L	S	W	O	T (Thread)	K	H		J	
							RM	RM-D	RM	RM-D
A	3 <sup>3</sup> / <sub>16</sub>	2 <sup>3</sup> / <sub>8</sub>	1 <sup>13</sup> / <sub>16</sub>	1 <sup>1</sup> / <sub>32</sub>	5 <sub>16</sub> -18	1 <sup>1</sup> / <sub>4</sub>	1	1 <sup>1</sup> / <sub>2</sub>	1 <sup>13</sup> / <sub>16</sub>	1 <sup>5</sup> / <sub>16</sub>
B	3 <sup>7</sup> / <sub>8</sub>	3	2 <sup>3</sup> / <sub>8</sub>	1 <sup>1</sup> / <sub>32</sub>	3 <sub>8</sub> -16	1 <sup>3</sup> / <sub>4</sub>	1 <sup>1</sup> / <sub>4</sub>	1 <sup>13</sup> / <sub>16</sub>	1 <sup>1</sup> / <sub>32</sub>	1 <sup>9</sup> / <sub>16</sub>
C	5 <sup>1</sup> / <sub>2</sub>	4 <sup>1</sup> / <sub>8</sub>	3 <sup>1</sup> / <sub>4</sub>	9 <sub>16</sub>	1 <sub>2</sub> -13	2 <sup>1</sup> / <sub>2</sub>	1 <sup>1</sup> / <sub>2</sub>	2 <sup>1</sup> / <sub>2</sub>	1 <sup>1</sup> / <sub>4</sub>	2 <sup>1</sup> / <sub>4</sub>
F	7 <sup>1</sup> / <sub>2</sub>	6 <sup>1</sup> / <sub>8</sub>	4 <sup>7</sup> / <sub>8</sub>	9 <sub>16</sub>	5 <sub>8</sub> -11	4 <sup>3</sup> / <sub>8</sub>	1 <sup>5</sup> / <sub>8</sub>	2 <sup>3</sup> / <sub>4</sub>	1 <sup>3</sup> / <sub>8</sub>	2 <sup>1</sup> / <sub>2</sub>



CALIFORNIA DYNAMICS CORPORATION  
5572 ALHAMBRA AVE. LOS ANGELES CA, 90032  
PH 323-223-3882 FAX 323-223-7941

email: caldyn@earthlink.net

"CALL US - TO SET THINGS RIGHT"

Assoc. Member



JOB: \_\_\_\_\_  
CUSTOMER: \_\_\_\_\_  
TAG: \_\_\_\_\_

Dwg. No. <b>F575</b>	Date <b>01/13/14</b>
PREP By:	Date
CHKD By:	Date

TYPE  
**RM**  
&  
**RM-D**  
NEOPRENE MOUNT

DO NOT SCALE DRAWING