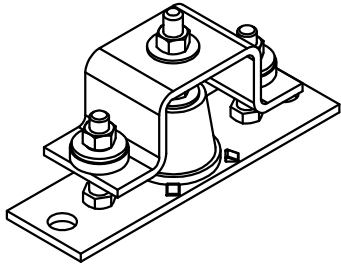
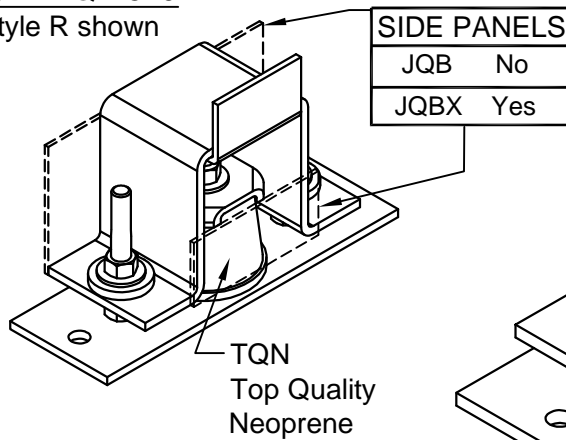


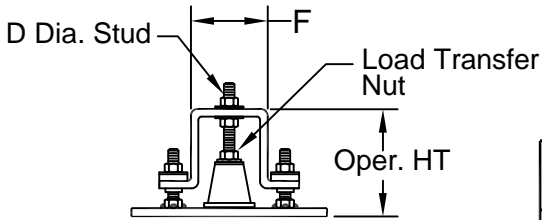
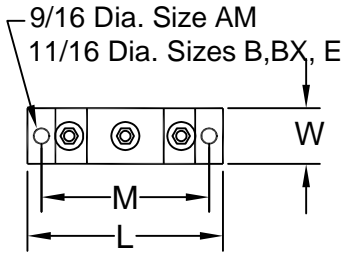
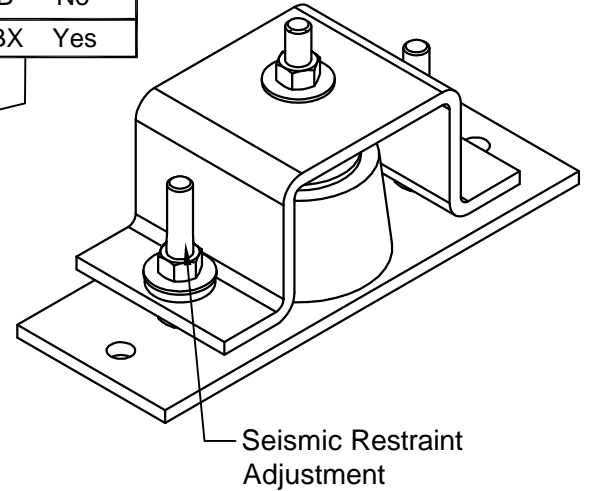
JQAM TQN 55
Style V Shown



JQBX TQN 520
Style R shown



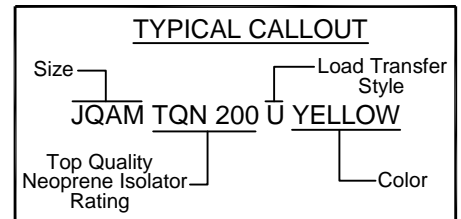
JQE TQN 4200
Style V shown



Isolator Locations



| Isolator Locations | Isolator Selections |
|--------------------|---------------------|
| | |
| | |
| | |
| | |



Notes:
Dimensions are in inches.

Loads in pounds.

Adjust Load Transfer Nut for proper operation.

Surface Treatments

Housing: Hot Dip Galvanized (HDG)
Hardware: Zinc Plated.

OPA - 0070
PRE-APPROVED HOUSING ALLOWABLE LOADS

| SIZE | HORIZ. | VERT. |
|------|--------|-------|
| AM | 600 | 900 |
| B | 1000 | 1600 |
| BX | 1500 | 2000 |
| E | 3200 | 4300 |

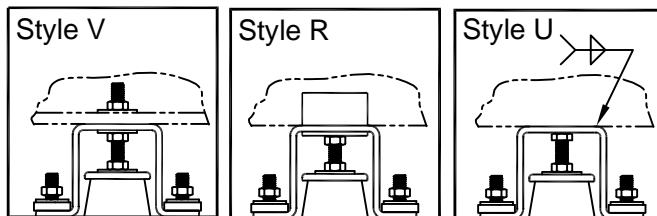
| Housing Size | L | W | M | F | D | Approximate Oper. Height |
|--------------|--------------------------------|-------------------------------|----|-------------------------------|-------------------------------|-------------------------------|
| AM | 7 | 2 | 6 | 2 ³ / ₄ | 3 ³ / ₈ | 2 ³ / ₄ |
| B & BX | 10 ¹ / ₂ | 3 ¹ / ₂ | 9 | 4 | 1 ¹ / ₂ | 5 |
| E | 14 | 5 | 12 | 6 | 5 ⁵ / ₈ | 5 |

RATED STATIC DEFLECTION 0.5"

TQN RATED LOAD & COLOR

| JQAM Size | | JQB & BX Size | | JQE Size | |
|----------------------|------------|----------------------|------------|----------------------|------------|
| Isolator Rating lbs. | Color Code | Isolator Rating lbs. | Color Code | Isolator Rating lbs. | Color Code |
| 40 | YELLOW | 300 | YELLOW | 1700 | GREEN |
| 55 | GREEN | 520 | GREEN | 2700 | BLUE |
| 80 | BLUE | 750 | BLUE | 4200 | WHITE |
| 120 | ORANGE | 1100 | WHITE | | |
| 200 | YELLOW | | | | |
| 280 | GREEN | | | | |
| 400 | BLUE | | | | |

Load Transfer Styles



CALIFORNIA DYNAMICS CORPORATION
5572 ALHAMBRA AVE. LOS ANGELES CA, 90032
PH 323-223-3882 FAX 323-223-7941

email: caldyn@earthlink.net
"CALL US - TO SET THINGS RIGHT"

Assoc. Member



JOB: _____
CUSTOMER: _____
TAG: _____

Dwg. No. **F310** Date **02/07/14**
PREP By: _____ Date _____
CHKD By: _____ Date _____
DO NOT SCALE DRAWING

TYPE **JQ-TQN**
TOP QUALITY NEOPRENE ISOLATOR/RESTRAINTS WITH CALIFORNIA PRE-APPROVED **OPA - 0070** 1/2" DEFLECTION