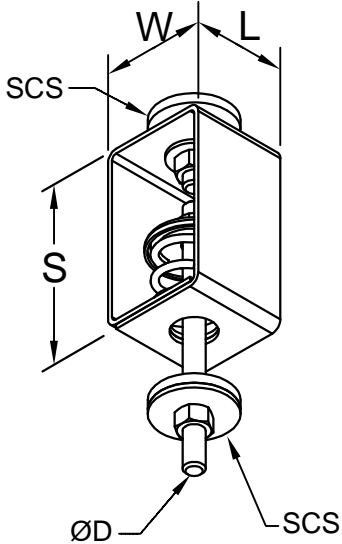
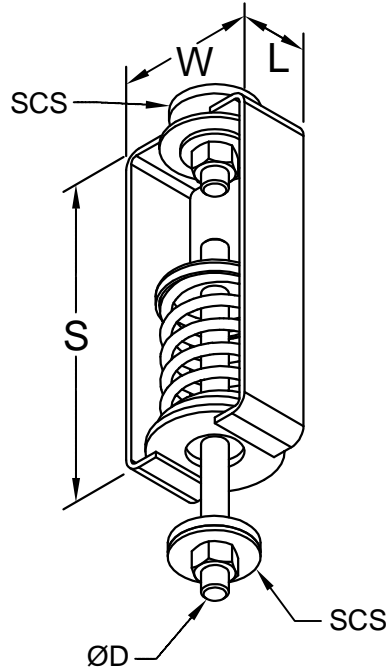


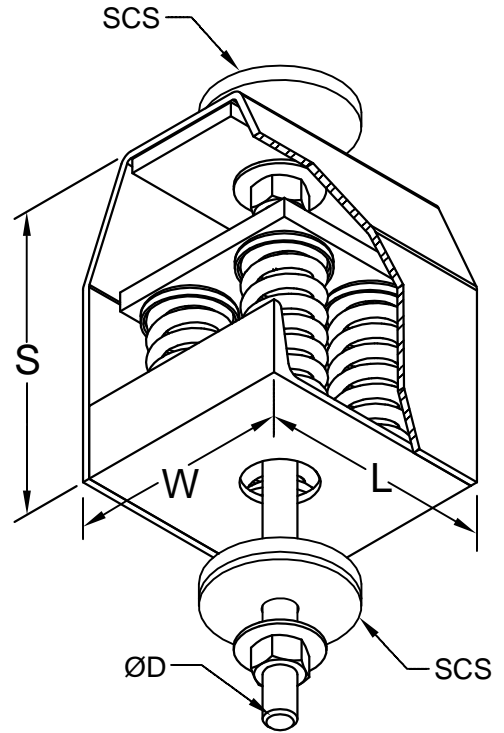
LIGHT WEIGHT HANGER
CHSCS-E21 - CHSCS-E415



BASIC HANGER
CHSCS-E500 - CHSCS-E1060



EXTRA STRENGTH HANGER
CHSCS-E1580 - CHSCS-E2860



Notes:
Spring rated deflection 1".

Free Height Listed = SFH

All housing sizes have been tested to carry 5 times maximum load without failure.

*The housings of these units are specially reinforced for extra strength.

Rod Diameter (RD)
Rod, nuts and washers are by others.

Minimum Additional Travel
50% of rated deflection at rated load.

Hanger Location

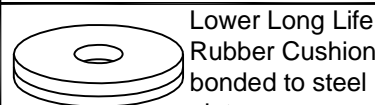


Hanger Selection	Hanger Location

Seismic Cushion Stop (SCS)



Upper Long Life Rubber Cushion



Lower Long Life Rubber Cushion bonded to steel plate.

TYPICAL CALLOUT

CHSCS - E143
(Type) - (Load)

CHSCS Max. Load (lbs)	DIMENSIONS (Inches)					
	SFH	S	W	L	Stop plate	ØD
E 21	2-5/8	4-3/4	2-3/4	2-1/2	2-3/8	3/8
E 55	2-3/4					
E 79	2-5/8					
E 106						
E 143	2-3/4	1/2				
E 187						
E 244			2-3/4			
E 318	3-1/8	5/8				
E 415	3-1/16					
E 500	3-1/4	7-1/2	3-1/4	2-3/4	3	3/4
715	4-1/4					
1060						
1580 *	8-3/8	6	6	3	7/8	
2044 *						
2860 *						



CALIFORNIA DYNAMICS CORPORATION
5572 ALHAMBRA AVE. LOS ANGELES CA, 90032
PH 323-223-3882 FAX 323-223-7941

email: caldyn@earthlink.net

"CALL US - TO SET THINGS RIGHT"

Assoc. Member



JOB: _____

CUSTOMER: _____

TAG: _____

Dwg. No. **F354** Date **02/06/14**

PREP By: _____ Date _____

CHKD By: _____ Date _____

DO NOT SCALE DRAWING

TYPE
CHSCS

SPRING HANGER
WITH
SEISMIC CUSHION STOP
1" DEFLECTION