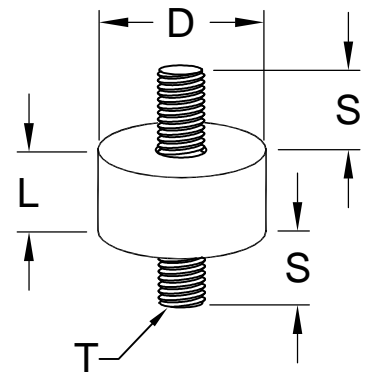
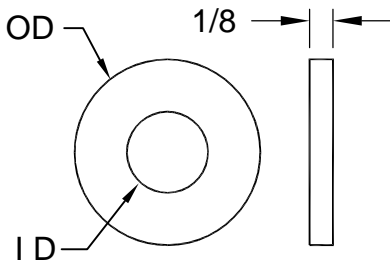


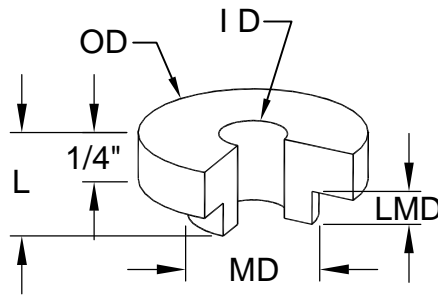
P/N	Max. Load Comp.	Max. Load Shear	L	D	S	T
KT 243	2-1/4 #	1 #	9/32	1/4	3/16	4 - 40 UNC
KT 244	4 #	1 #	7/16	7/16	1/4	6 - 32 UNC
KT 245	8 #	2 #	1/2	9/16	3/8	8 - 32 UNC
KT 246	18 #	3 #	5/8	3/4	3/8	10 - 32 UNC
KT 247 - 3/8	40 #	10 #	3/4	1	3/8	1/4 - 20 UNC
KT 247 - 1/2					1/2	
KT 248 - 1/2	35 #	10 #	1	1	1/2	5/16 - 18UNC
KT 248 - 5/8					5/8	
KT 249 - 18	135 #	40 #	1	1-1/2	11/16	5/16 - 18 UNC
KT 249 - 24					5/16 - 24 UNF	



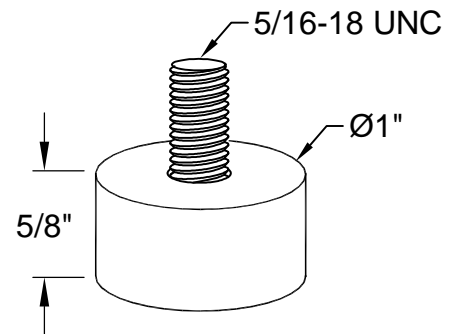
P/N & Bolt Ø Size	ID	OD
KT 305-3/8	7/16	1
KT 305-1/2	9/16	1-3/8
KT 305-5/8	11/16	1-3/4
KT 305-3/4	13/16	2



P/N	ID	OD	MD	L	LMD
KT 382 A	3/8	1-1/8	11/16	7/16	3/16
KT 382 B	5/8	1-3/4	7/8	5/8	3/8



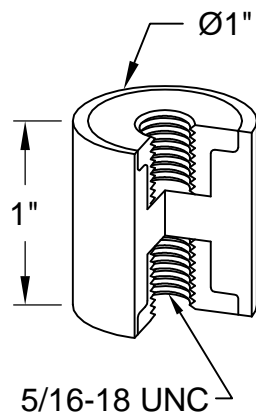
P/N KT 321  
60 # MAX.  
LOAD COMP.



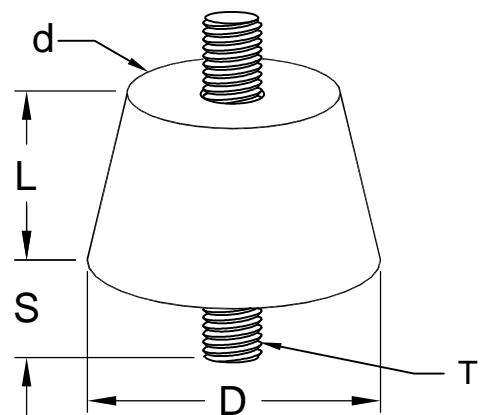
**Notes:**  
Dimensions are in inches.

All products shown are manufactured with high quality synthetic rubber.

P/N KT 302  
25 # MAX.  
LOAD COMP.



P/N	Max. Load Comp.	L	d	S	T	D
KT 291	100 #	1	1 - 3/16	5/8	5/16 - 18 UNC	1 - 5/8
KT 292	60 #	1 - 1/2				



**CALDYN**  
CALIFORNIA DYNAMICS CORPORATION  
5572 ALHAMBRA AVE. LOS ANGELES CA, 90032  
PH 323-223-3882 FAX 323-223-7941  
email: caldyn@earthlink.net  
"CALL US - TO SET THINGS RIGHT"  
Assoc. Member **VISCMA**

JOB: \_\_\_\_\_  
CUSTOMER: \_\_\_\_\_  
TAG: \_\_\_\_\_

Dwg. No. **F502** Date **01/29/14**  
PREP By: \_\_\_\_\_ Date \_\_\_\_\_  
CHKD By: \_\_\_\_\_ Date \_\_\_\_\_  
DO NOT SCALE DRAWING

TYPE  
**KT**  
RUBBER MOUNTS  
AND  
GROMMETS