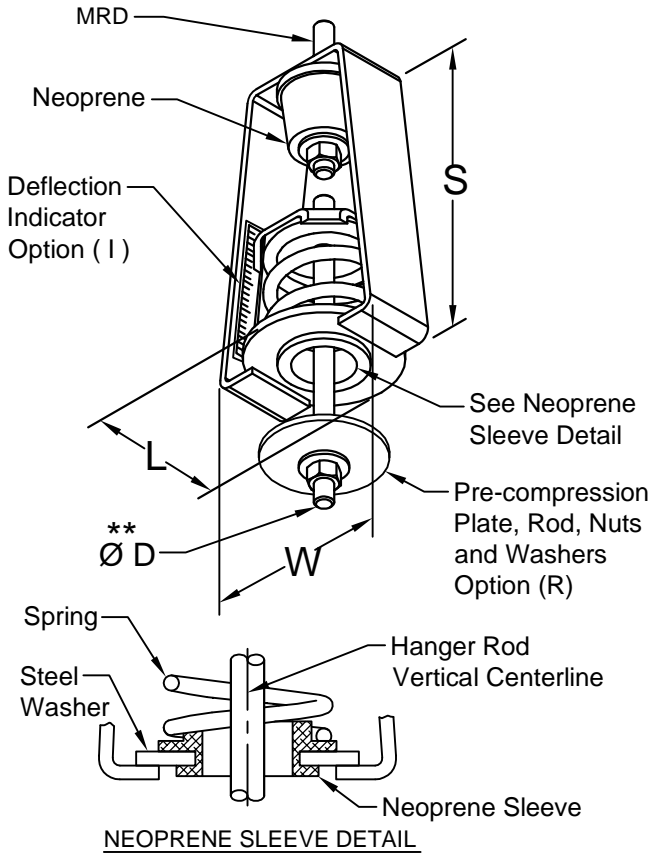
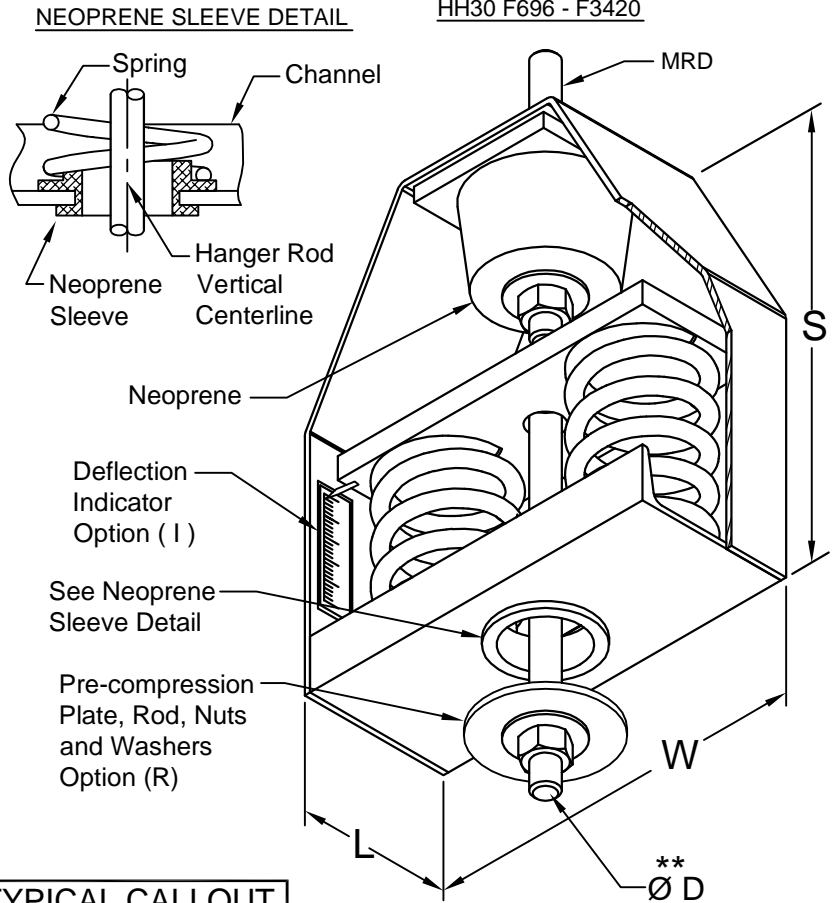


**BASIC HANGER
HH30 FT30 - F590**



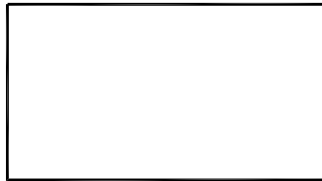
***EXTRA STRENGTH HANGER
HH30 F696 - F3420**



TYPICAL CALLOUT

HH30 - FT 121 - R I
(Type) - (Load) - (Options)

HANGER LOCATION



HANGER SELECTION	HANGER LOCATION

HH30 Max. Load (lbs)	DIMENSIONS (Inches)												
	S	W	L	MRD	Ø D								
FT 30 FT 41 FT 60 FT 85 FT 121	8	5	4	1/2	1/2								
FT 171 FT 241						10	5-1/2	4-1/2	5/8				
F 348 F 453										11	5-1/4	4-1/2	5/8
F 590													
F 696* F 906* F 1180*						12	10-3/8	4	3/4	3/4			
F 1352* F 1574* F 1836*	14-1/4	12-3/8	5	7/8	7/8								
F 2318* F 2816* F 3420*													

Type HH30 is used where uncertain alignment is anticipated during installation. At rated load the hanger rod will operate to a full 15° tilt in any direction from vertical centerline.

Spring rated deflection is 2" + Neoprene rated Deflection 1/2" = 2-1/2" deflection.

* The housings of these units are specially reinforced for extra strength.

All housing sizes have been tested to carry 5 times maximum load without failure.

**The pre-compression rod is furnished with units which have the "R" option specify Rod Diameter. This rod will extend about 3" below the Neoprene sleeve.

Maximum Rod Diameter (MRD)

Threaded rod, nuts and washers by others.



CALIFORNIA DYNAMICS CORPORATION
5572 ALHAMBRA AVE. LOS ANGELES CA, 90032
PH 323-223-3882 FAX 323-223-7941

email: caldyn@earthlink.net
"CALL US - TO SET THINGS RIGHT"

Assoc. Member



JOB: _____

CUSTOMER: _____

TAG: _____

Dwg. No. **F599** Date **01/02/14**

PREP By: _____ Date _____

CHKD By: _____ Date _____

TYPE **HH30**

15° Tilt
2-1/2" DEFLECTION
COMBINATION
HANGER
SPRING & NEOPRENE

DO NOT SCALE DRAWING