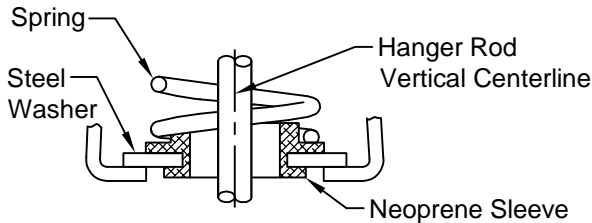
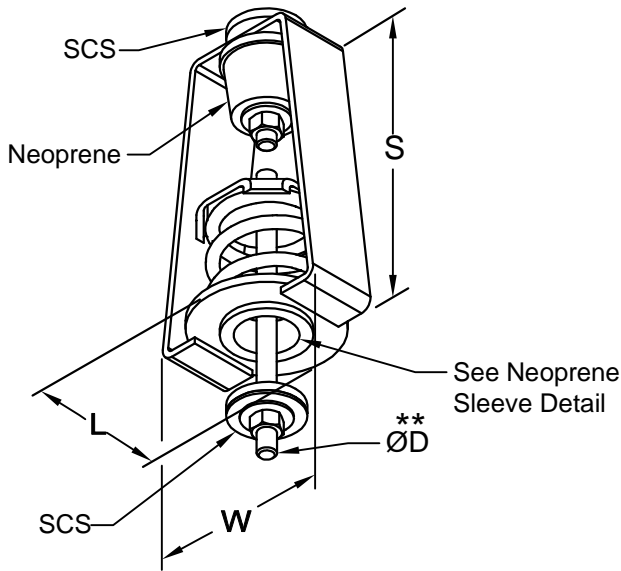
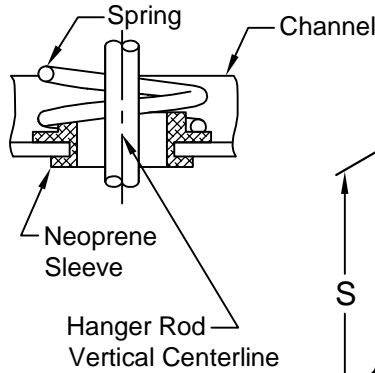


BASIC HANGER
HH30SCS ET20 - ET1326

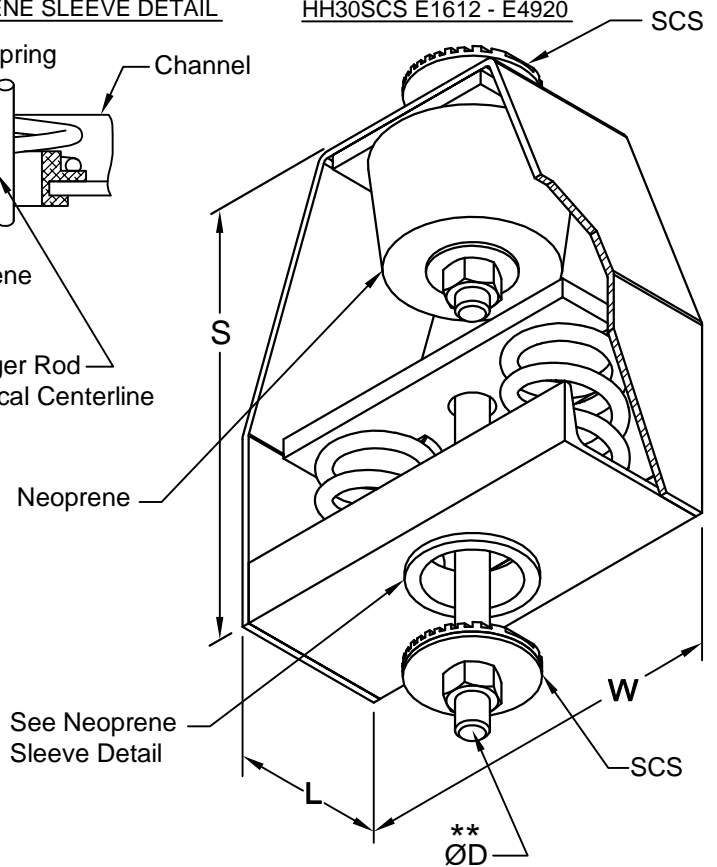


NEOPRENE SLEEVE DETAIL

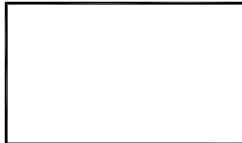
NEOPRENE SLEEVE DETAIL



***EXTRA STRENGTH HANGER**
HH30SCS E1612 - E4920



HANGER LOCATION



TYPICAL CALLOUT
HH30SCS - ET129
(Type) - (Load)

Type HH30SCS is used where uncertain alignment is anticipated during installation. At normal load the hanger rod will operate to a full 15° tilt in any direction from vertical centerline.

Springs rated deflection is 1" + Neoprene rated deflection 1/2" = 1-1/2".

SFH - Spring Free Height.
NFH - Neoprene Free Height.

*The housings of these units are specially reinforced for extra strength.

** Rod Diameter (RD)
Rod, nuts and washers by others.

HANGER SELECTION	HANGER LOCATION

Seismic Cushion Stop (SCS)	
	Upper long life Rubber Cushion
	Lower long life Rubber Cushion. Bonded to steel plate.

HH30SCS Max. Load (lbs)	DIMENSIONS (Inches)							
	SFH	NFH	S	W	L	SCS Ø	ØD	
ET 20	1-7/8	1-1/2	6-1/2	3-5/8	2-1/2	2-3/8	3/8	
ET 42	2	1-1/2						
ET 80	2-1/8	1-1/2						
ET 129	2-3/8	1-1/2						
ET 194	2-3/8	1-3/4	7-1/2	4	3			1/2
ET 255	2-1/2	1-3/4						
ET 347	2-3/4	1-3/4	8-1/2	5-5/16	4-1/4			5/8
ET 473	2-7/8	2-1/2						
ET 667	3-1/8	2-1/2	10	5-7/8	4-3/4	3/4		
ET 940	3-3/8	2-1/2						
ET 1326	3-5/8	2-3/4						
E 1612 *	3-5/8	2-3/4	11-1/4	10	4	3	7/8	
E 2060 *	3-7/8	2-3/4						
E 2460 *	4-1/8	2-3/4						
E 2980 *	4-1/8	2-3/4						
E 4120 *	3-7/8	2-3/4	12	9-1/2	7	4	1	
E 4920 *	4-1/8	2-3/4						



CALIFORNIA DYNAMICS CORPORATION
5572 ALHAMBRA AVE. LOS ANGELES CA, 90032
PH 323-223-3882 FAX 323-223-7941

email: caldyn@earthlink.net
"CALL US - TO SET THINGS RIGHT"

Assoc. Member



JOB: _____
CUSTOMER: _____
TAG: _____

Dwg. No. **F594** Date **01/07/14**
PREP By: _____ Date _____
CHKD By: _____ Date _____
DO NOT SCALE DRAWING

TYPE
HH30SCS
15° Tilt
1-1/2" DEFLECTION
COMBINATION HANGER
SPRING & NEOPRENE
WITH SEISMIC
CUSHION STOP