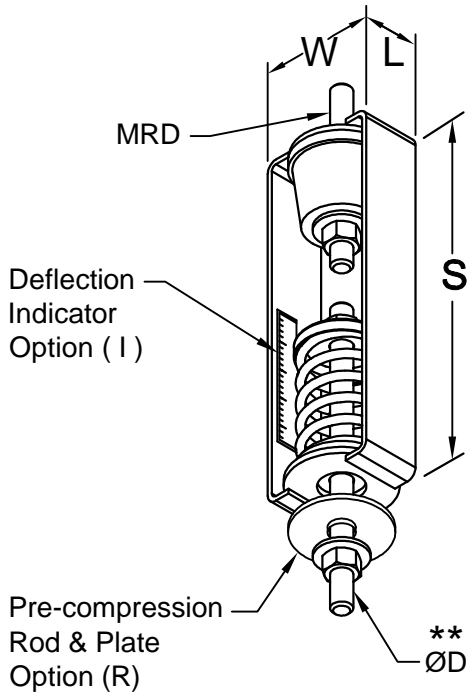
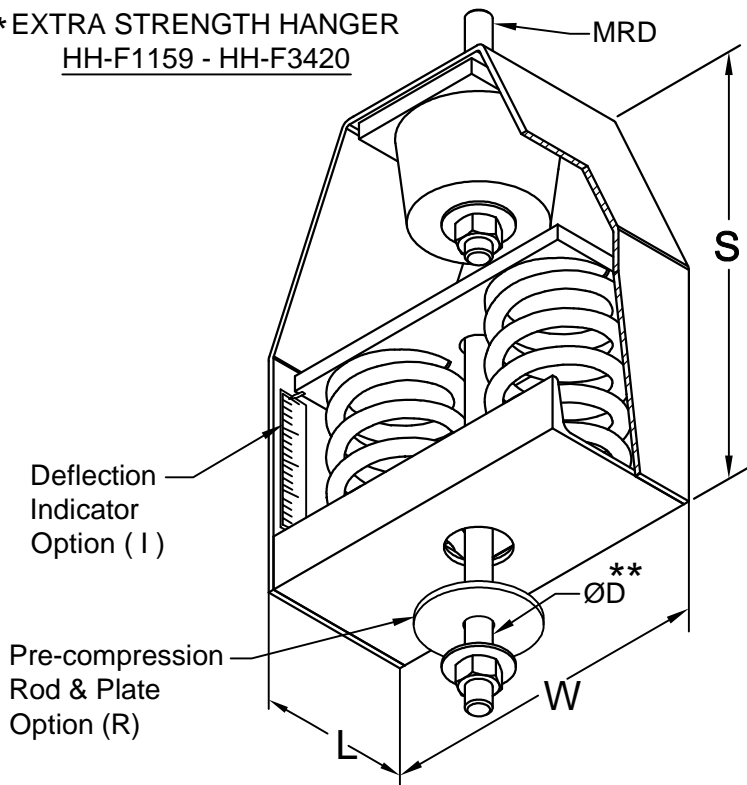


BASIC HANGER
HH-F59 - HH-F918



***EXTRA STRENGTH HANGER**
HH-F1159 - HH-F3420



TYPICAL CALLOUT
HH - F120 - R I
(Type) - (Load) - (Options)

Notes:

Spring rated Deflection 2" + Neoprene rated Deflection 1/2" = 2-1/2" Deflection.

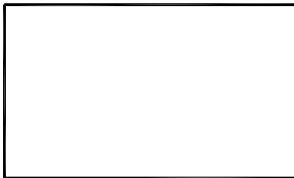
* The housings of these units are specially reinforced for extra strength.

** The pre-compression rod is furnished with units which have the " R " option. This rod will extend about 3" below the bottom of the hanger housing.

Maximum Rod Diameter (MRD)
Rod, nuts and washers by others.

Minimum Additional Travel
50% of required deflection at rated load.

Hanger Location



Hanger Selection	Hanger Location

HH Max. Load (lbs)	DIMENSIONS (Inches)				
	S	W	L	MRD	ØD
F59 F83 F120	9	3	2-1/2	1/2	1/2
F155 F195 F241					
F348 F453					
F590 F676 F787 F918	11	5-1/4	4-1/2	3/4	3/4
F1159 *					
F1408 * F1710 *	13-1/2	6	5	7/8	7/8
F2318 * F2816 * F3420 *	14	11	5		



CALIFORNIA DYNAMICS CORPORATION
5572 ALHAMBRA AVE. LOS ANGELES CA, 90032
PH 323-223-3882 FAX 323-223-7941
email: caldyn@earthlink.net

"CALL US - TO SET THINGS RIGHT"

Assoc. Member



JOB: _____

CUSTOMER: _____

TAG: _____

Dwg. No. **F359** Date **02/05/14**

PREP By: _____ Date _____

CHKD By: _____ Date _____

DO NOT SCALE DRAWING

TYPE
HH
COMBINATION
HANGER
SPRING & NEOPRENE
2-1/2" DEFLECTION