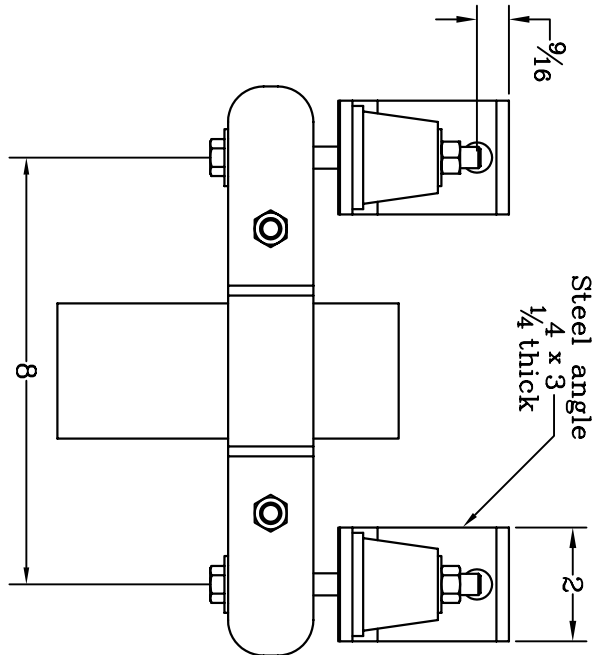
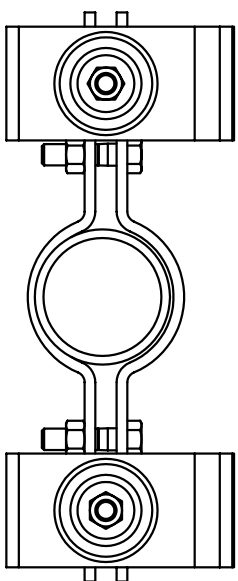
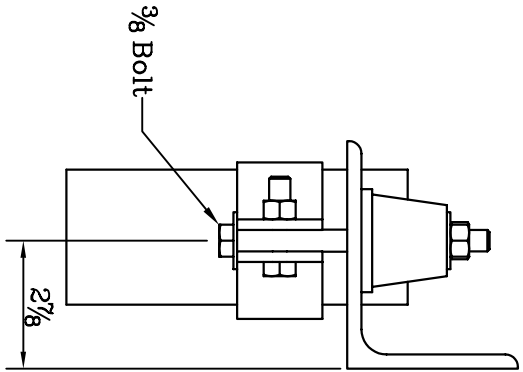


NOTES: Unless otherwise specified  
 1. All Dimensions are in Inches.

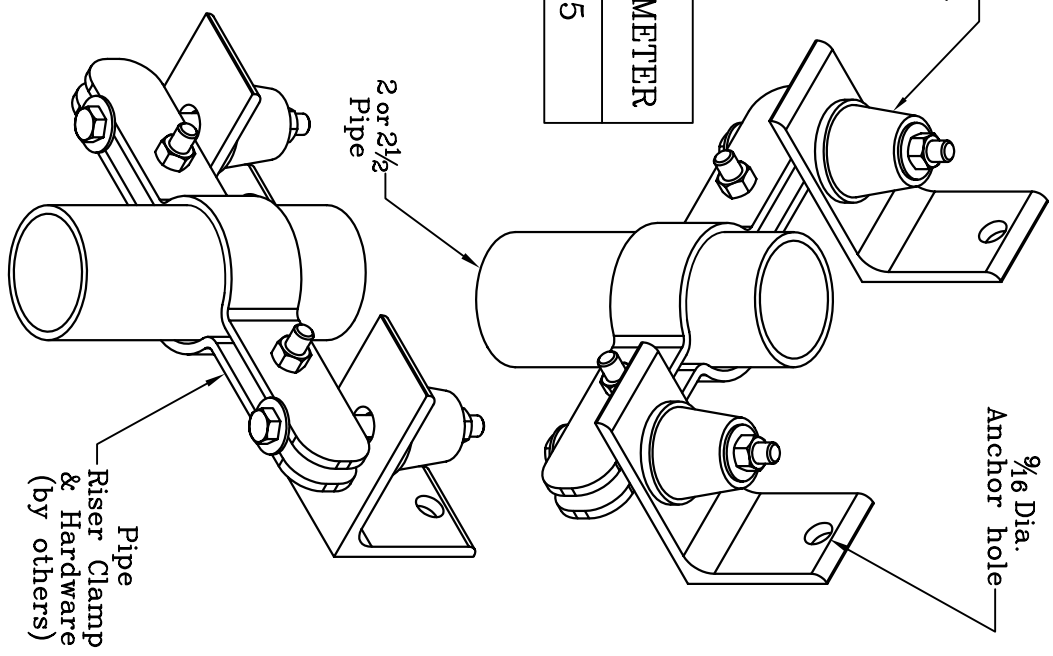


LOAD POUNDS	COLOR MARK	DUROMETER
80	Green	55

RMD size "A"  
 Double Deflection  
 Neoprene Element



9/16 Dia.  
 Anchor hole



TYPICAL CALLOUT  
 9849 — 260 — 2-1/2  
 Load  
 Pipe size



CALIFORNIA DYNAMICS CORPORATION  
 5572 ALHAMBRA AVENUE, LOS ANGELES, CA 90032  
 PH (323) 223 3882, FX (323) 223 3941  
 "CALL US - TO SETTLE YOURS RIGHT"  
 Associate Member



JOB:	DWG No.
CUST:	PREP BY:
TAG:	CHKD:
SHEET OF	REV.
Date:	Date:
Date:	

PRODUCT **9849**  
 WALL VERTICAL  
 PIPE HANGER  
 ACOUSTICAL PRODUCT

REV  
 0