

TEST REPORT

for

California Dynamics Corporation
5572 Alhambra Avenue
Los Angeles, CA 90032

Impact Insulation Class Test
ASTM E1007 – 97 / ASTM E989 – 89

On

WH Neoprene Hangar
with Suspended GWB Ceiling

Test Date: October 5, 2006

Procedure: IIC Testing

Report Date: October 6, 2006

Assembly Results: Preliminary Evaluation

Submitted by:



John C. Keiffer
Acoustical Consultant

Test Method: This test method is in accordance with American National Society for Testing and Materials Standard designation: E1007 Standard Test Method for Field Measurement of Tapping Machine Impact Sound Transmission Through Floor-Ceiling Assemblies and Associated Support Structures to determine the Field IIC as per ASTM E989.

Equipment and instrumentation used for the measurements included a Norsonic tapping machine and a Larson-Davis 2900B Type 1 real-time sound level meter (serial no. 0990, calibration February 24, 2006). Calibration was with a Larson Davis CAL200 serial number 2306. This measurement technique followed that described in the above mentioned ASTM standards.

Procedures for testing were completed to derive a 'delta' value in accordance with ISO 140-3, 717-2. This procedures can allow for application of the data to different assemblies based on direct comparison of assemblies with and without the WH hangar.

Specimen Description: Test was conducted in SSA sample room dimensions 10'Lx10'Wx8.5'H

Vinyl Flooring
¾ inch plywood subfloor
14 inch steel open web joists
Single layer of 5/8 inch GWB
GWB suspended using Caldyn Spring Hanger Type WH
At 24 x 48 inches on center

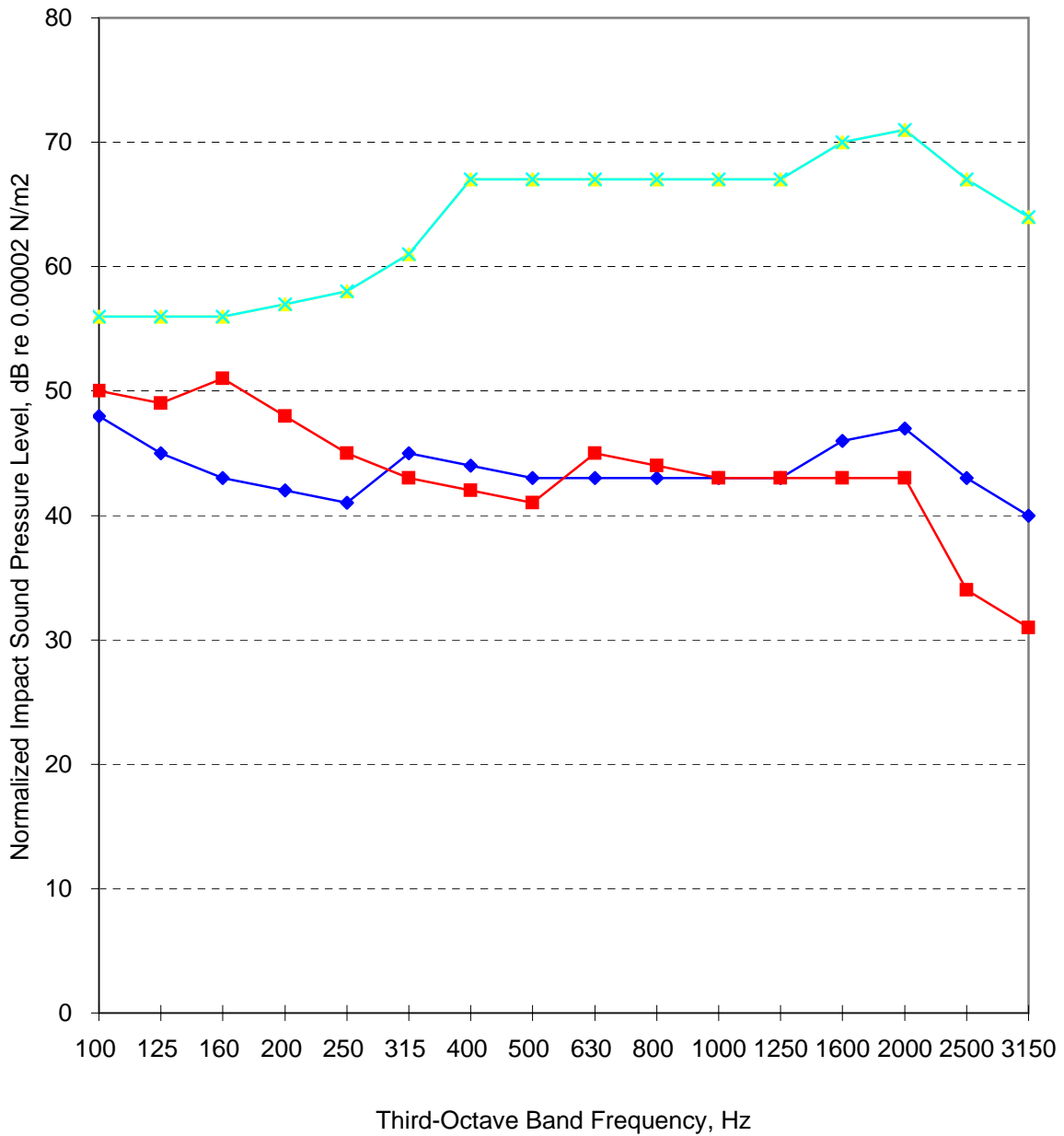
Specimen Size: Product installed over entire floor surface. Base boards were not installed at the time of measurements.

Conditioning: N/A

Test Results: FIIC = 59
 $\Delta = 21$
Chart is provided on the following page.

FIIC
CALDYN WH Neoprene Hangar
 Assembly: Framed Wood Flooring with
 5/8" WH Suspended Ceiling

FIIC: 59



◆ With WH Springs ■ Limiting IIC Contour ✕ Without WH Springs



CALIFORNIA DYNAMICS CORPORATION
 5572 ALHAMBRA AVE.
 LOS ANGELES, CA. 90032-3106

CALL US - TO SET THINGS RIGHT

FAX (323) 223 - 7941

PH (323) 223 - 3882

email: caldyn@earthlink.net

TYPE WH
 WIRE HANGER

FILE 353

7/17/01

JOB: _____

CUST: _____

ENG'R: _____

TAG: _____

DATE: _____

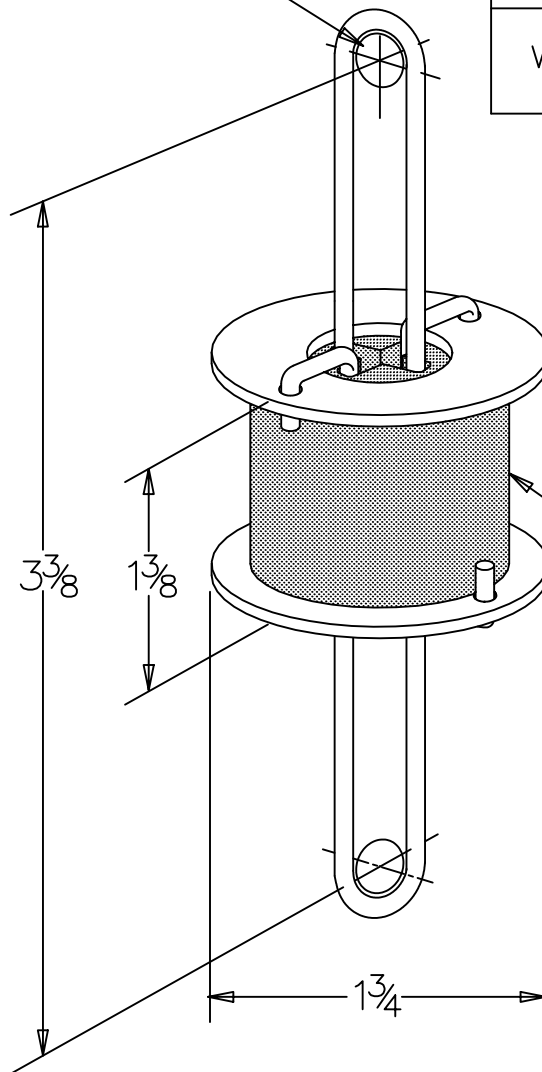
Clearance for
 $\frac{3}{16}$ " Dia. Bolt, Wire,
 Screw or Nail

RATINGS FOR NEOPRENE WIRE HANGER

Type	Wire Color	Rated Capacity Pounds	Rated Defl.
WH	Silver	65 - 145	.2
	Gold	135 - 220	.2

FAILURE TESTED
 OVER 1300 Lbs.

Washers and Wires
 Zinc Plated



Bridge Bearing
 Neoprene
 element