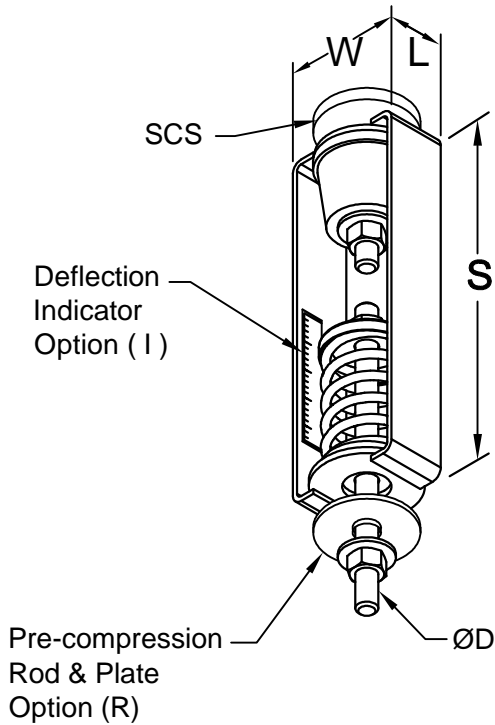
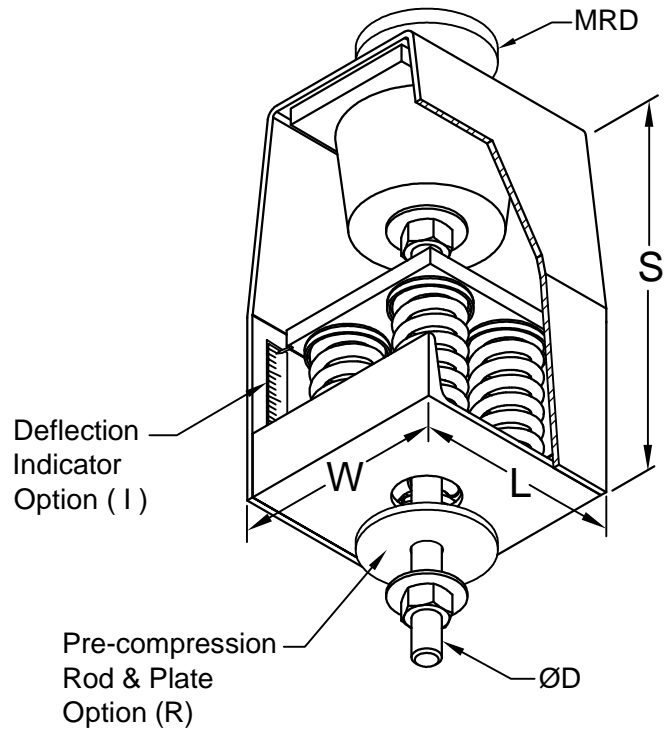


BASIC HANGER
HHSCS-E21 - HHSCS-E1060



*** EXTRA STRENGTH HANGER**
HHSCS- E1580 - HHSCS-2860



Notes:

Spring rated deflection 2"
+ Neoprene rated deflection
1/2" = 2-1/2" deflection.

Free Height Listed = SFH

Neoprene Free Height = NFH

* The housing of these units are specially reinforced for extra strength.

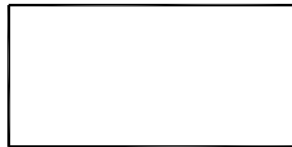
Rod Diameter (RD)

Rod, nuts and washers are by others.

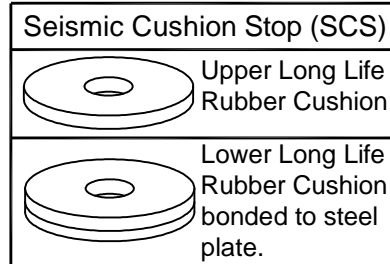
Minimum Additional Travel

50% of rated deflection at rated load.

Hanger Location



Hanger Selection	Hanger Location



TYPICAL CALLOUT

HH - E106 - R I
(Type) - (Load) - (Options)

HHSCS Max. Load (lbs)	DIMENSIONS (Inches)						
	SFH	NFH	S	W	L	Stop Plate	ØD
E21	2-5/8						
E55	2-3/4						
E79		1-1/2	6-1/2	3-5/8	2-1/2	2-3/8	3/8
E106							
E143	2-5/8						
E187							1/2
E244	2-3/4	1-3/4	7-1/2	3-1/4	2-3/4		5/8
E318	3-1/8						
E415	3						
E500	3-1/4					2-3/8	
715		2-1/2	9-3/4	3-7/8	3-1/4		3/4
1060							
1580 *	4-1/4	2-3/4	11-3/8	6-1/2	6	3	7/8
2044 *							
2860 *							



CALIFORNIA DYNAMICS CORPORATION
5572 ALHAMBRA AVE. LOS ANGELES CA, 90032
PH 323-223-3882 FAX 323-223-7941

email: caldyn@earthlink.net

"CALL US - TO SET THINGS RIGHT"

Assoc. Member



JOB: _____

CUSTOMER: _____

TAG: _____

Dwg. No. **F355** Date **02/06/14**

PREP By: _____ Date _____

CHKD By: _____ Date _____

TYPE
HHSCS

COMBINATION HANGER
SPRING & NEOPRENE
WITH
SEISMIC CUSHION STOP
1-1/2" DEFLECTION

DO NOT SCALE DRAWING