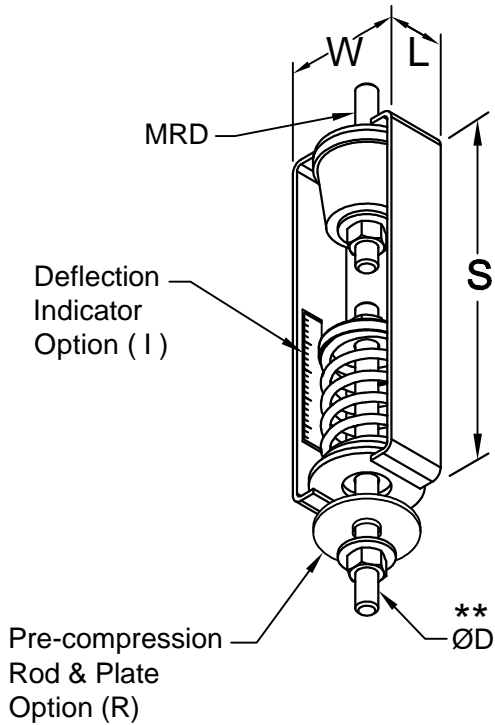
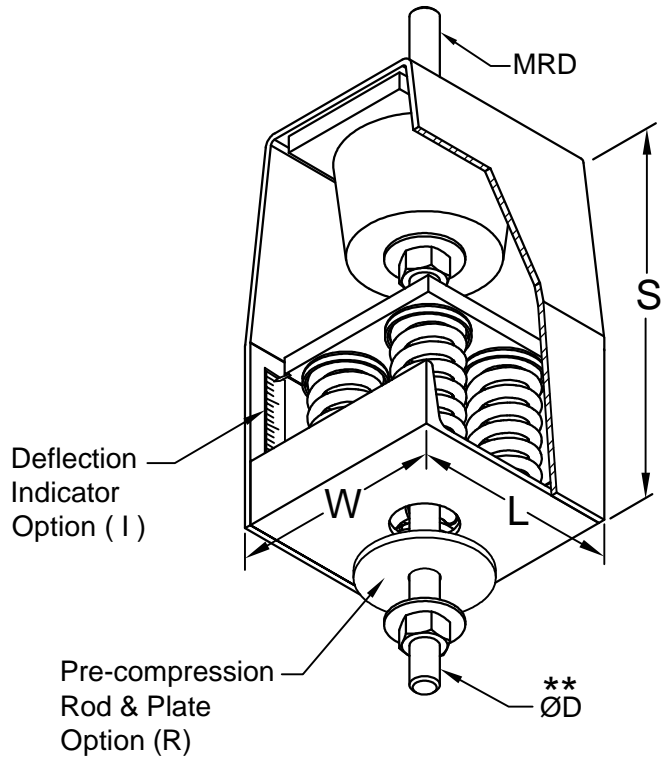


BASIC HANGER
HH-E21 - HH-E1060



*** EXTRA STRENGTH HANGER**
HH-E1580 - HH-2860



TYPICAL CALLOUT

HH - E 106 - R I
(Type) - (Load) - (Options)

Notes:

Spring rated Deflection 1" + Neoprene rated Deflection 1/2" = 1-1/2" Deflection.

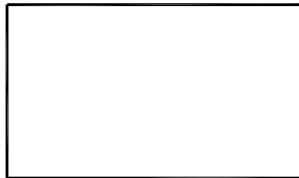
* The housings of these units are specially reinforced for extra strength.

** The pre-compression rod is furnished with units which have the " R " option. This rod will extend about 3" below the bottom of the hanger housing.

Maximum Rod Diameter (MRD)
Rod, nuts and washers by others.

Minimum Additional Travel
50% of required deflection at rated load.

Hanger Location



Hanger Selection	Hanger Location

HH Max. Load (lbs)	DIMENSIONS (Inches)				
	S	W	L	MRD	ØD
E21 E55 E79 E106 E143	6-1/2	3-5/8	2-1/2	1/2	3/8
1/2					
E187 E244	7-1/2	3-1/4	2-3/4	3/4	5/8
E318 E415					7/8
E500 715 1060	9-3/4	3-7/8	3-1/4	7/8	3/4
1580 *					7/8
2044 * 2860 *					11-3/8



CALIFORNIA DYNAMICS CORPORATION
5572 ALHAMBRA AVE. LOS ANGELES CA, 90032
PH 323-223-3882 FAX 323-223-7941

email: caldyn@earthlink.net
"CALL US - TO SET THINGS RIGHT"

Assoc. Member



JOB: _____
CUSTOMER: _____
TAG: _____

Dwg. No. **F360** Date **02/05/14**
PREP By: _____ Date _____
CHKD By: _____ Date _____

DO NOT SCALE DRAWING

TYPE **HH**
COMBINATION HANGER
SPRING & NEOPRENE
1-1/2" DEFLECTION