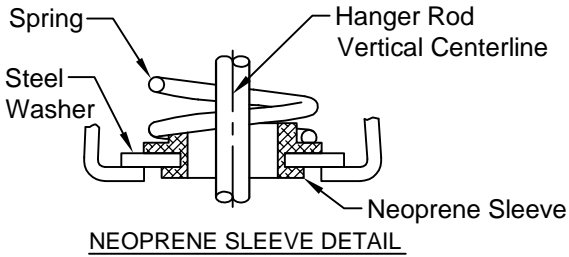
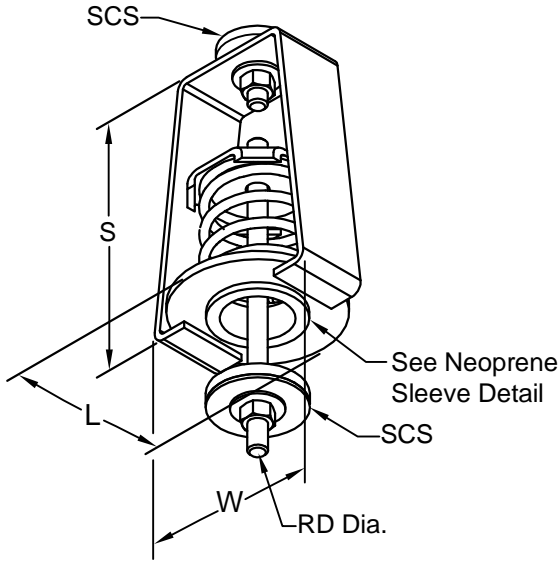
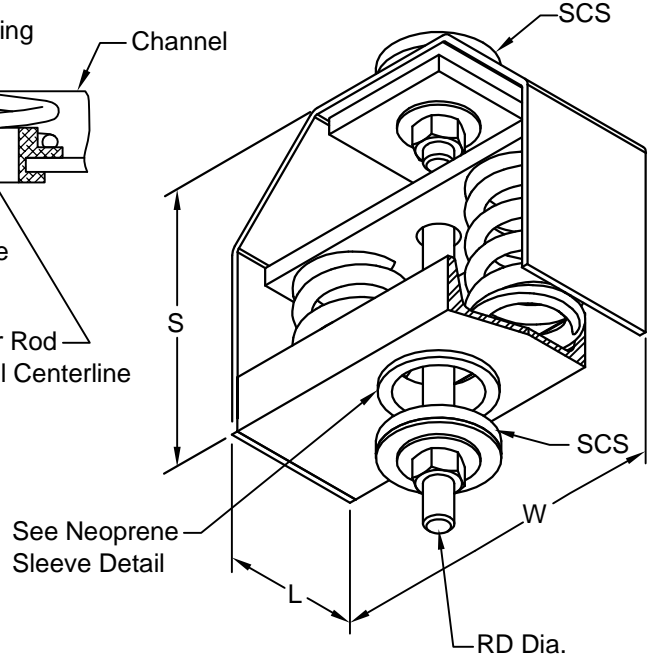
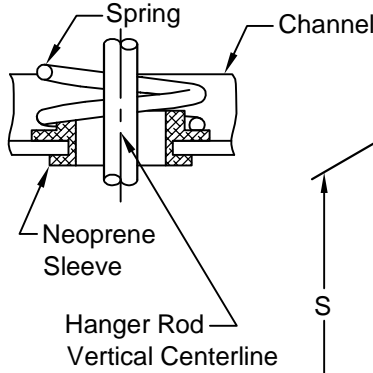


**BASIC HANGER**  
CH30SCS FT30 - F590

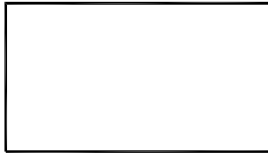


**\* EXTRA STRENGTH HANGER**  
CH30C F696 - F3420

**NEOPRENE SLEEVE DETAIL**



**HANGER LOCATION**



**TYPICAL CALLOUT**

CH30C - FT121  
(Type) - (Size)

Type CH30SCS is used where uncertain alignment is anticipated during installation. At normal load the hanger rod will operate to a full 15° Tilt in any direction from vertical center line.

Springs rated deflection is 2".

Spring Free Height = SFH

\* The housings of these units are specially reinforced for extra strength.

\*\* Rod Diameter (RD)

Rods, nuts and washers are by others.

HANGER SELECTION	HANGER LOCATION

Seismic Cushion Stop (SCS)	
	Upper long life rubber cushion
	Lower long life rubber cushion bonded to stop plate.

CH30SCS Max. Load (lbs)	DIMENSIONS (Inches)							
	SFH	S	W	L	SCS Ø	** RD		
FT 30 FT 41	3-1/2	6-1/2	3-5/8	2-1/2	2-3/8	1/2		
FT 60 FT 85	3-3/4							
FT 121	4	8	5	4	5/8			
FT 171 FT 241	4-1/4 4-1/2	8	5-1/4	4-1/2				
F 348 F 453 F 590	5				9	10-3/8	4	3/4
F 696* F 906* F 1180*								7/8
F 1352* F 1574* F 1836*	6-1/2	11-1/2	12-3/8	5	4			
F 2318* F 2816* F 3420*								



CALIFORNIA DYNAMICS CORPORATION  
5572 ALHAMBRA AVE. LOS ANGELES CA, 90032  
PH 323-223-3882 FAX 323-223-7941

email: caldyn@earthlink.net

"CALL US - TO SET THINGS RIGHT"

Assoc. Member



JOB: \_\_\_\_\_  
CUSTOMER: \_\_\_\_\_  
TAG: \_\_\_\_\_

Dwg. No. **F591** Date **01/23/14**  
PREP By: \_\_\_\_\_ Date \_\_\_\_\_  
CHKD By: \_\_\_\_\_ Date \_\_\_\_\_  
DO NOT SCALE DRAWING

TYPE  
**CH30SCS**  
15° TILT  
2" DEFLECTION  
SPRING HANGER  
WITH SEISMIC  
CUSHION STOP