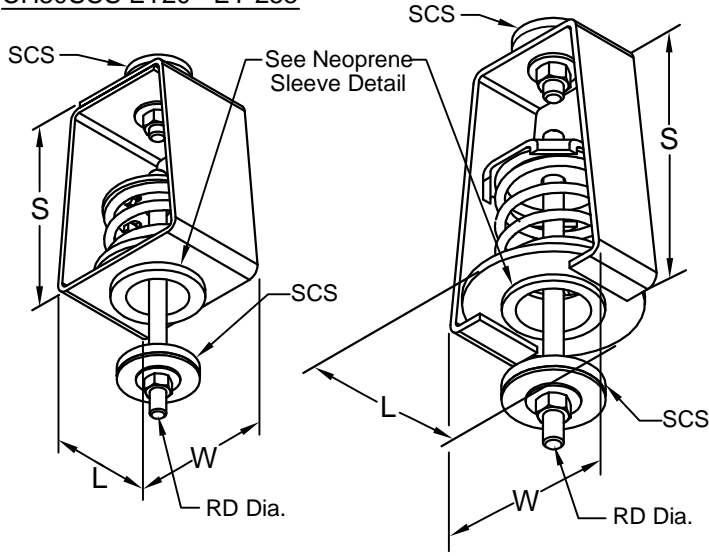
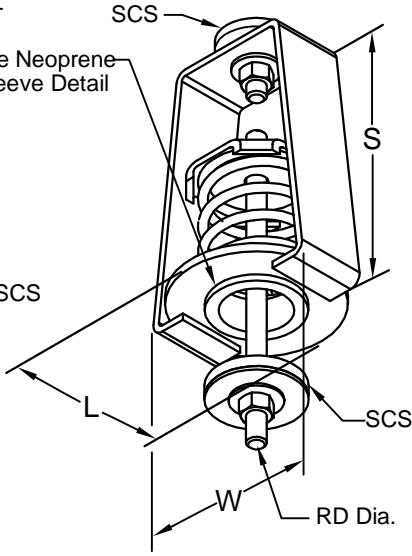


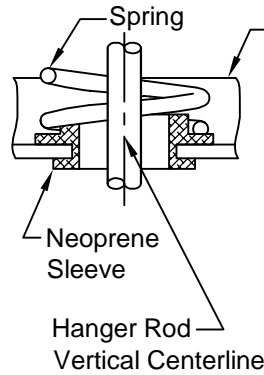
LIGHT WEIGHT HANGER
CH30SCS ET20 - ET-255



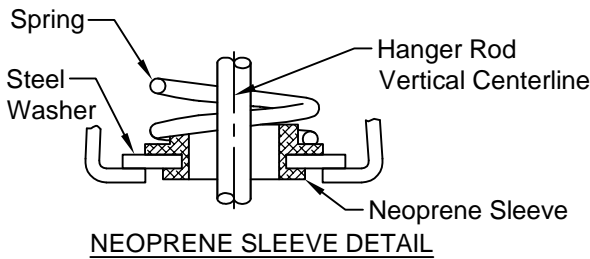
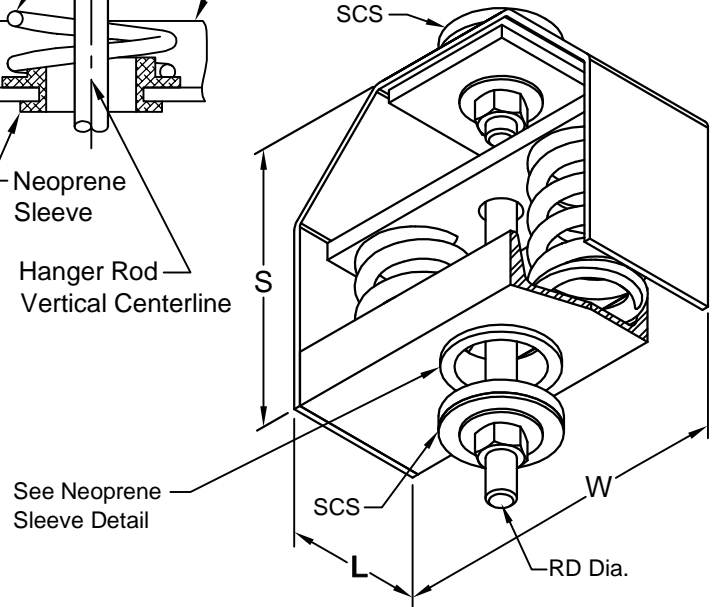
BASIC HANGER
CH30SCS ET347 - ET-1326



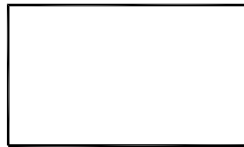
NEOPRENE SLEEVE DETAIL



***EXTRA STRENGTH HANGER**
CH30SCS E1612 - E4920



HANGER LOCATION



TYPICAL CALLOUT

CH30SCS - ET129
(Type) - (Load)

Type CH30SCS is used where uncertain alignment is anticipated during installation. At normal load the hanger rod will operate to a full 15° tilt in any direction from vertical centerline.

Springs rated deflection is 1".

SFH - Spring Free Height.

*The housings of these units are specially reinforced for extra strength.

** Rod Diameter (RD)
Rod, nuts and washers by others.

HANGER SELECTION	HANGER LOCATION

Seismic Cushion Stop (SCS)	
	Upper long life Rubber Cushion
	Lower long life Rubber Cushion. Bonded to steel plate.

CH30SCS Max. Load (lbs)	DIMENSIONS (Inches)					
	SFH	S	W	L	SCS Ø	** RD
ET 20	1-7/8					
ET 42	2					
ET 80	2-1/8					
ET 129	2-3/8	4-3/4	3-5/8	2-1/2	2-3/8	1/2
ET 194	2-3/8					
ET 255	2-1/2					
ET 347	2-3/4	6	5-5/16	4-1/4		5/8
ET 473	2-7/8					
ET 667	3-1/8					3/4
ET 940	3-3/8	7	5-7/8	4-3/4		7/8
E 1612 *	3-5/8				3	
E 2060 *	3-7/8	8-1/4	10	4		1
E 2460 *	4-1/8					
E 2980 *	4-1/8					
E 4120 *	3-7/8	8-1/2	9-1/2	7	4	1-1/8
E 4920 *	4-1/8					



CALIFORNIA DYNAMICS CORPORATION
5572 ALHAMBRA AVE. LOS ANGELES CA, 90032
PH 323-223-3882 FAX 323-223-7941

email: caldyn@earthlink.net
"CALL US - TO SET THINGS RIGHT"

Assoc. Member



JOB: _____
CUSTOMER: _____
TAG: _____

Dwg. No. **F593** Date **01/08/14**
PREP By: _____ Date _____
CHKD By: _____ Date _____
DO NOT SCALE DRAWING

TYPE
CH30SCS
15° Tilt
1" DEFLECTION
COMBINATION HANGER
WITH SEISMIC
CUSHION STOP