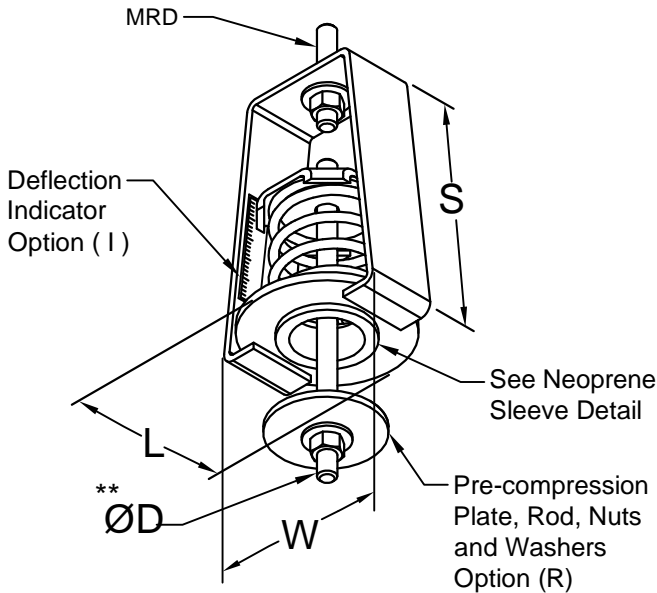
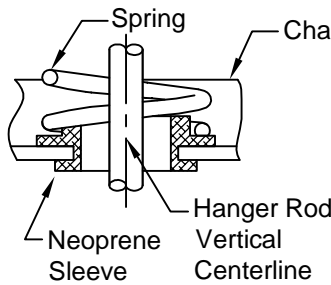


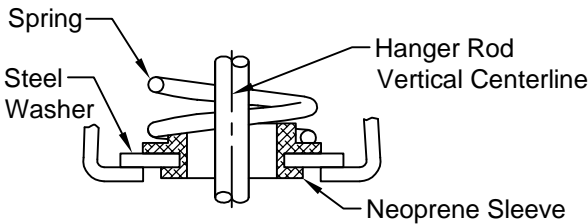
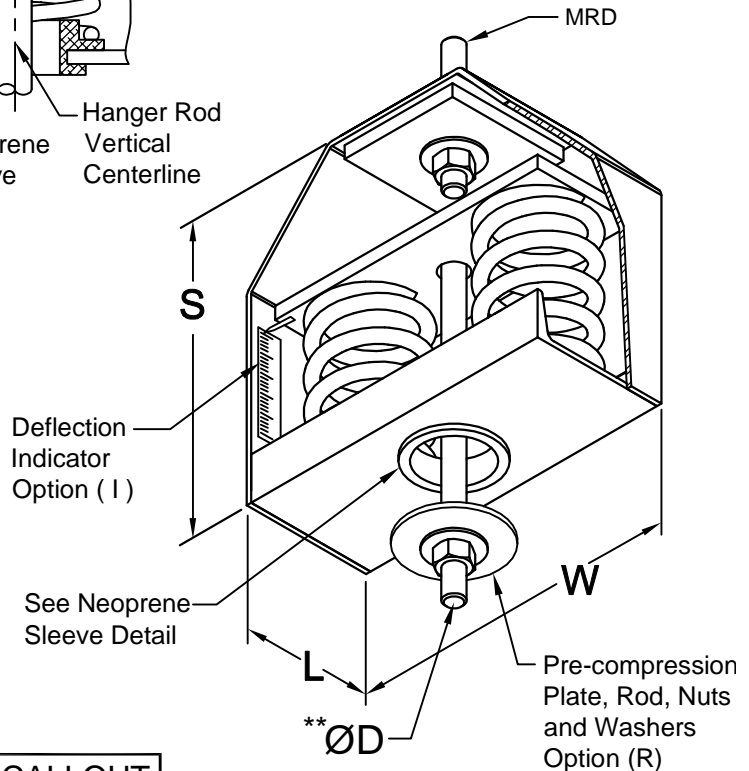
**BASIC HANGER
HH30 FT30 - F590**



NEOPRENE SLEEVE DETAIL



***EXTRA STRENGTH HANGER
CH30 F696 - F3420**



NEOPRENE SLEEVE DETAIL

TYPICAL CALLOUT

CH30 - FT 121 - R I
(Type) - (Load) - (Options)

HANGER LOCATION



HANGER SELECTION	HANGER LOCATION

CH30 Max. Load (lbs)	DIMENSIONS (Inches)					
	S	W	L	MRD	ØD	
FT 30 FT 41 FT 60 FT 85	6-1/2	3-5/8	2-1/2	1/2	1/2	
FT 121						8
FT 171 FT 241	10	5-1/2	4-1/2	5/8		5/8
F 348 F 453 F 590						
F 696* F 906* F 1180*					9	10-3/8
F 1352* F 1574* F 1836*						
F 2318* F 2816* F 3420*	11-1/2	12-3/8	5	7/8		

Type CH30 is used where uncertain alignment is anticipated during installation. At normal load the hanger rod will operate to a full 15° tilt in any direction from vertical centerline.

Spring rated deflection is 2".

* The housings of these units are specially reinforced for extra strength.

All housing sizes have been tested to carry 5 times maximum load without failure.

**The pre-compression rod is furnished with units which have the "R" option, specify Rod Diameter. This rod will extend about 3" below the Neoprene sleeve.

Maximum Rod Diameter (MRD)

Threaded rod, nuts and washers by others.



CALIFORNIA DYNAMICS CORPORATION
5572 ALHAMBRA AVE. LOS ANGELES CA, 90032
PH 323-223-3882 FAX 323-223-7941

email: caldyn@earthlink.net
"CALL US - TO SET THINGS RIGHT"

Assoc. Member



JOB: _____
CUSTOMER: _____
TAG: _____

Dwg. No. **F598** Date **01/02/14**
PREP By: _____ Date _____
CHKD By: _____ Date _____

TYPE
CH30
15° Tilt
2" DEFLECTION
SPRING HANGER

DO NOT SCALE DRAWING