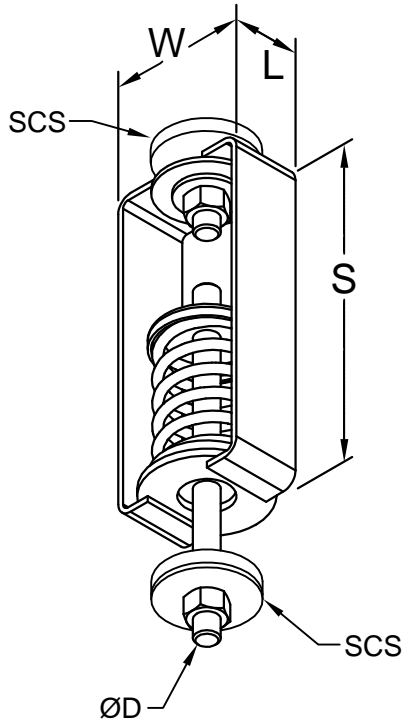
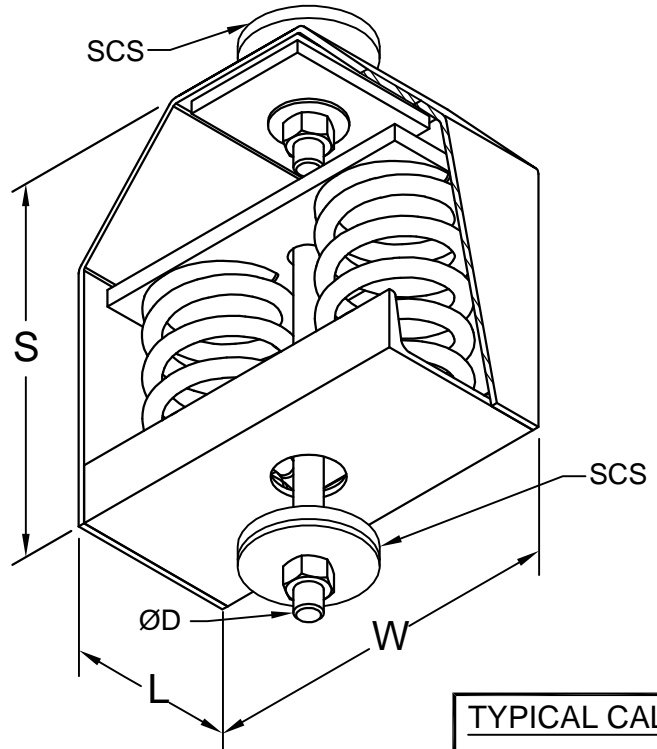


BASIC HANGER
CHSCS-F59 - CHSCS-F918



*** EXTRA STRENGTH HANGER**
CHSCS-F1159 - CHSCS-F3420



TYPICAL CALLOUT
 CHSCS - F120
 (Type) - (Load)

Notes:
 Spring rated deflection 2".

Free Height Listed = SFH

*The housing of these units are specially reinforced for extra strength.

Rod Diameter (RD)
 Rod, nuts and washers are by others.

Minimum Additional Travel
 50% of rated deflection at rated load.

Hanger Location

Hanger Selection	Hanger Location

Seismic Cushion Stop (SCS)



Upper Long Life Rubber Cushion



Lower Long Life Rubber Cushion bonded to steel plate.

CHSCS Max. Load (lbs)	DIMENSIONS (Inches)					
	SFH	S	W	L	Stop Plate	ØD
F 59 F 83 F 120 F 155	4-1/4	9	3	2-1/2	2-3/8	1/2
F 195 FT 241	4-9/16 4-1/2	10	5-1/2	4-1/2		5/8
F 348 F 453	5				11	
F 590 F 676 F 787 F 918		6-7/16	11	5		5
F 1159* F 1408* F 1710*	11-1/4				11	
F 2318* F 2816* F 3420*						



CALIFORNIA DYNAMICS CORPORATION
 5572 ALHAMBRA AVE. LOS ANGELES CA, 90032
 PH 323-223-3882 FAX 323-223-7941

email: caldyn@earthlink.net
 "CALL US - TO SET THINGS RIGHT"

Assoc. Member



JOB: _____

CUSTOMER: _____

TAG: _____

Dwg. No. F356	Date 02/06/14
PREP By:	Date
CHKD By:	Date
DO NOT SCALE DRAWING	

TYPE
CHSCS

SPRING HANGER
 WITH
 SEISMIC STOP CUSHION
 2" DEFLECTION