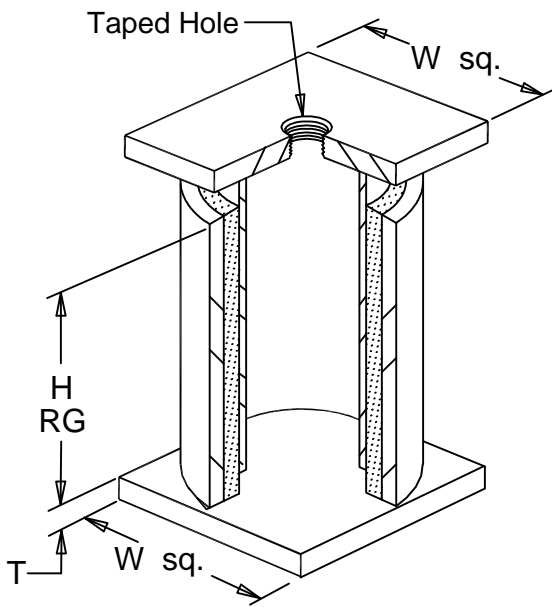
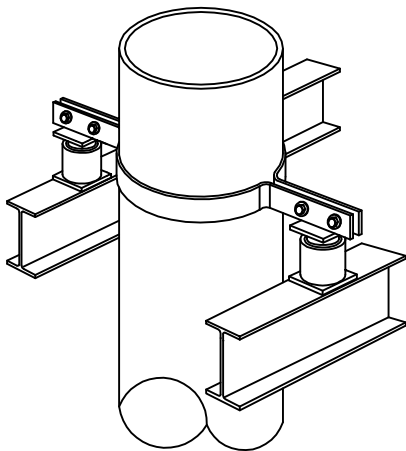
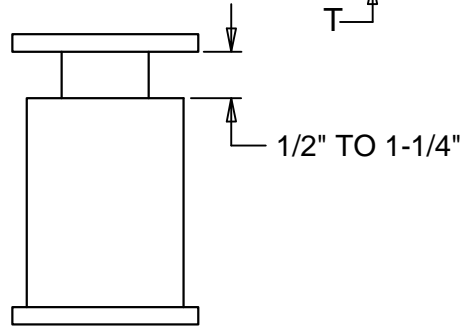
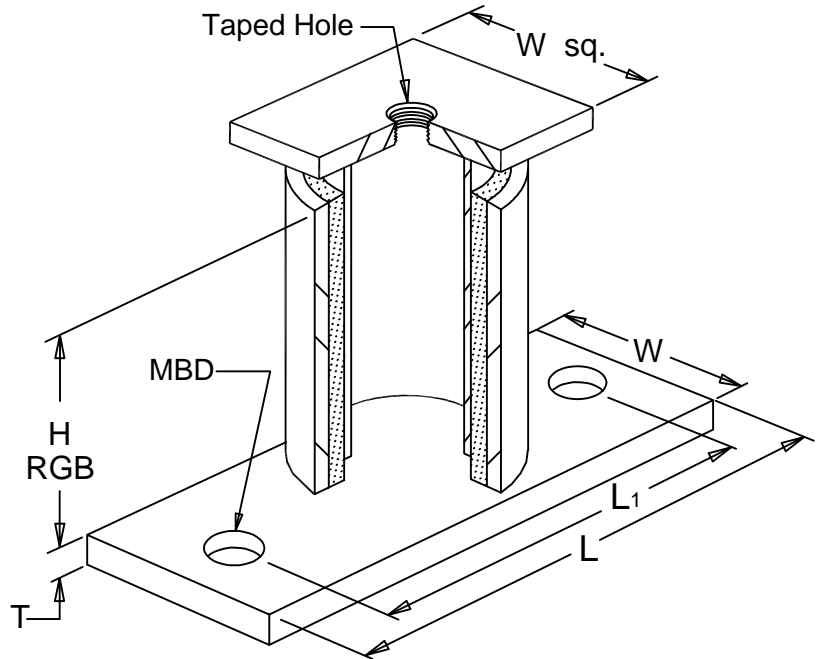


RG



RGB



Weld or Bolt pipe clamp or bracket to RG

LOAD RATINGS

Size	Horizontal Capacity Per Pair (lbs.)	Rated Defl. (in.)	For use with Pipe size
75	1,000	0.1	5"
200	8,000	0.1	6" thru 12"
350	11,300	0.1	14" thru 24"

DIMENSIONS (inches)

Size	W	H RG	H RGB	Tapped Hole	L	L ₁	T	MBD
75	3	4 1/2	4 1/2	1/2-13 UNC	6	5	1/4	3/8
200	4			7/8-9 UNC	11	8 1/2	3/8	5/8
350	6	5	5	1-1/8-7 UNC	12	9 1/2	1/2	3/4



CALIFORNIA DYNAMICS CORPORATION
5572 ALHAMBRA AVE. LOS ANGELES CA, 90032
PH 323-223-3882 FAX 323-223-7941

email: caldyn@earthlink.net
"CALL US - TO SET THINGS RIGHT"

Assoc. Member



JOB: _____

CUSTOMER: _____

TAG: _____

Dwg. No.

F440

Date

01/30/14

PREP By: _____

Date

CHKD By: _____

Date

DO NOT SCALE DRAWING

TYPE

RG
RGB

ALL DIRECTIONAL
PIPE GUIDE