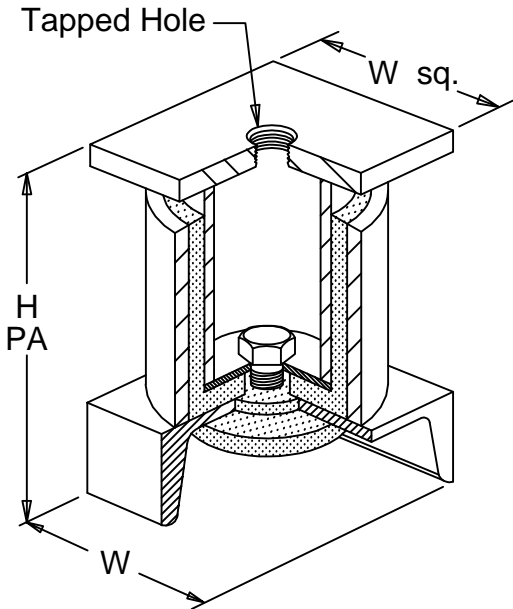
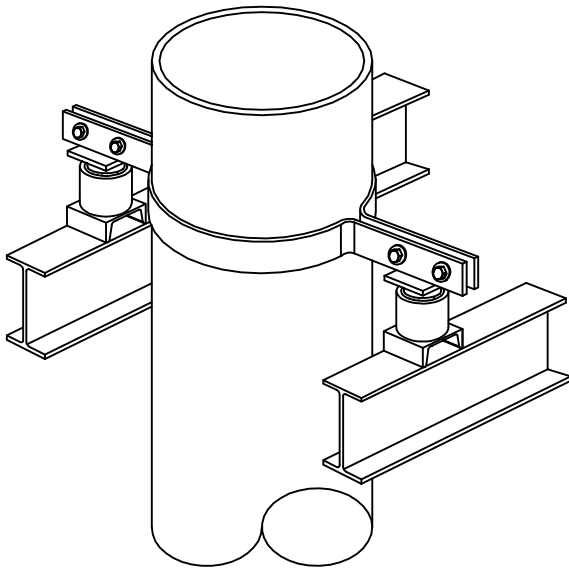
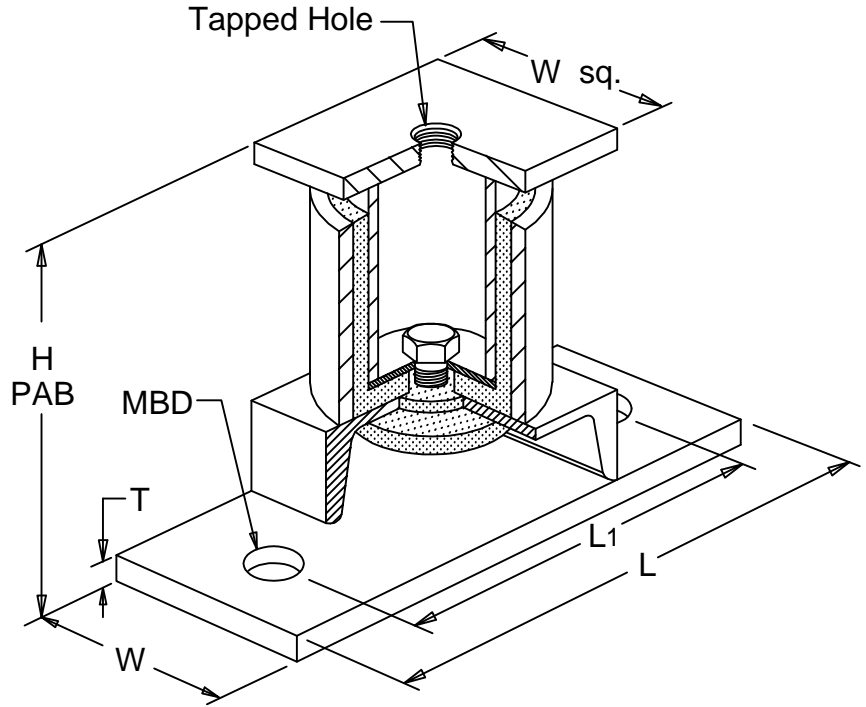


PA



PAB



Weld or Bolt pipe clamp
or bracket to anchor.

LOAD RATINGS

Size	Anchoring Capacity Per Pair (lbs.)	Rated Defl. (in.)
75	1,000	0.1
200	6,000	0.1
350	24,000	0.1
600	60,000	0.1
800	100,000	0.1

DIMENSIONS (inches)

Size	W	H PA	H PAB	Tapped Hole	L	L ₁	T	MBD
75	3	4-1/2	4-3/4	1/2-13NC	6	5	1/4	3/8
200	4	7	7-3/8	7/8-9NC	11	8-1/2	3/8	5/8
350	6	7	7-1/2	1-1/8-7NC	12	9-1/2	1/2	3/4
600	9	11	11-3/4	NONE	14-1/2	12	3/4	1-1/4
800	11	13-1/2	13-1/2	NONE	17-1/2	14-1/2	1	1-1/2

CALDYN

CALIFORNIA DYNAMICS CORPORATION
5572 ALHAMBRA AVE. LOS ANGELES CA, 90032
PH 323-223-3882 FAX 323-223-7941

email: caldyn@earthlink.net

"CALL US - TO SET THINGS RIGHT"

Assoc. Member



JOB:

CUSTOMER:

TAG:

Dwg. No.

F441

PREP By:

CHKD By:

DO NOT SCALE DRAWING

Date

01/30/14

Date

Date

TYPE

PA
PAB

ALL DIRECTIONAL
PIPE ANCHOR