

Type XW-JQ (Shown)
Support Frame

Type XW is a custom designed Steel Frame to adapt between point supports and restraints providing a structurally rigid, continuous attaching surface for Fans, Pumps, A/C Units, Cooling Towers, etc.

** Also may be ordered with the following variety of options:

STEEL CROSS SECTION:

The XW bases are available in Angle, Channel, Beam or Wide Flange shapes.

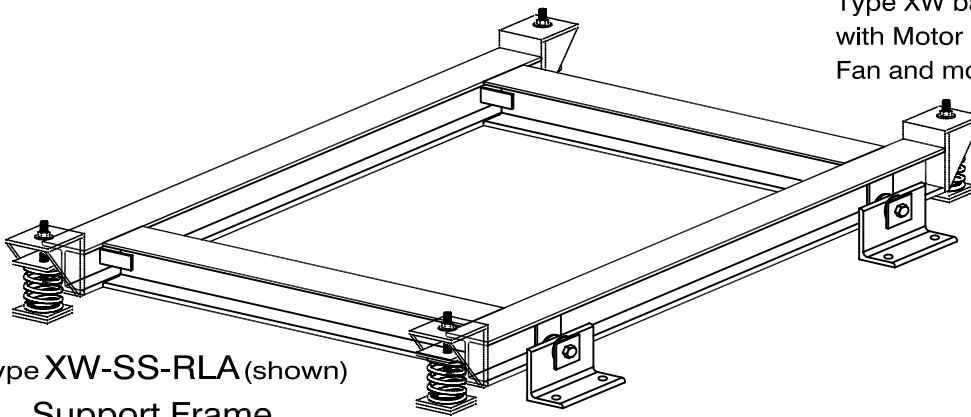
ISOLATOR TYPE:

Almost all of CalDyn standard Spring Isolators could be used with the types XW bases.

MOTOR SLIDE RAILS:

Type XW bases can be supplied with Motor Slide Rails for integral Fan and motor bases.

CalDyn type XW bases feature height saving brackets to limit elevation & allow for stability of mounted equipment.



Type XW-SS-RLA (shown)
Support Frame



CALIFORNIA DYNAMICS CORP.

5572 ALHAMBRA AVENUE,
LOS ANGELES, CA 90032

PH (323) 223 3882 FX (323) 223 7941

"CALL US - TO SET THINGS RIGHT"

Assoc. Member



JOB:		DWG No.	
CUST:		PREP BY:	Date:
TAG:		CHKD:	Date:
SHEET OF	REV.		

TYPE XW STRUCTURAL STEEL FRAME	
	REV 0