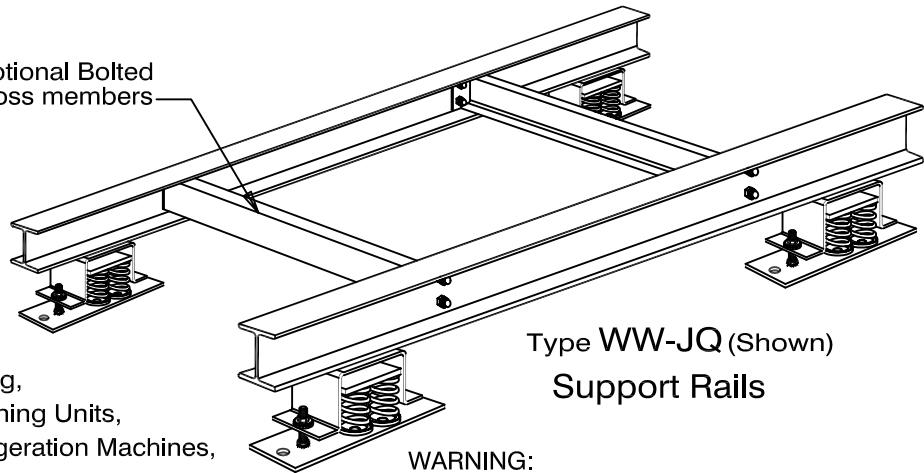


Optional Bolted cross members



Type WW-JQ (Shown)
Support Rails

For support of Fans, Heating, Ventilating and Air Conditioning Units, Pumps, Compressors, Refrigeration Machines, Boilers, Cooling Towers, etc.

Custom designed to match supported equipment.

CalDyn type WW Rails feature height saving brackets to limit elevation & allow for stability of mounted equipment.

WARNING:

If installed in a Seismically active region - Cross Members are highly recommended they may be Bolted. If welded complete see type XW.

** Also may be ordered with the following variety of options:

BOLTED CROSS MEMBERS:

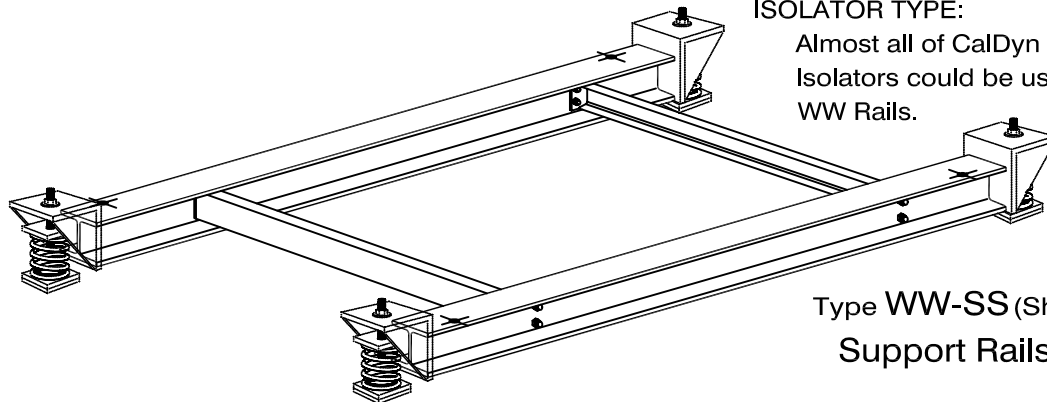
For ease of shipping and handling to the installation location.

STEEL CROSS SECTION:

The WW Rails are available in Angle, Channel, Beam or Wide Flange shapes.

ISOLATOR TYPE:

Almost all of CalDyn standard spring Isolators could be used with the types WW Rails.



Type WW-SS (Shown)
Support Rails



CALIFORNIA DYNAMICS CORP.
5572 ALHAMBRA AVENUE,
LOS ANGELES, CA 90032
PH (323) 223 3882 FX (323) 223 7941

"CALL US - TO SET THINGS RIGHT"

Assoc. Member



JOB:		DWG No.		TYPE WW STRUCTURAL STEEL RAILS
CUST:		PREP BY:	Date:	
TAG:		CHKD:	Date:	
SHEET	OF	REV.		REV 0