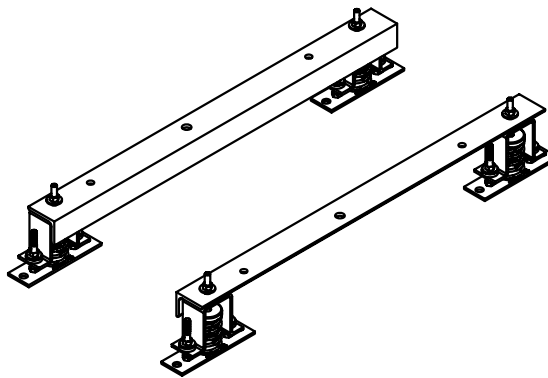


TYPE SW RAILS
TO REDUCE POINT
WEIGHTS BY MULTIPPOINT
SUPPORT EQUIPMENT

SW-B MAY INCLUDE
MOTOR SLIDE RAILS

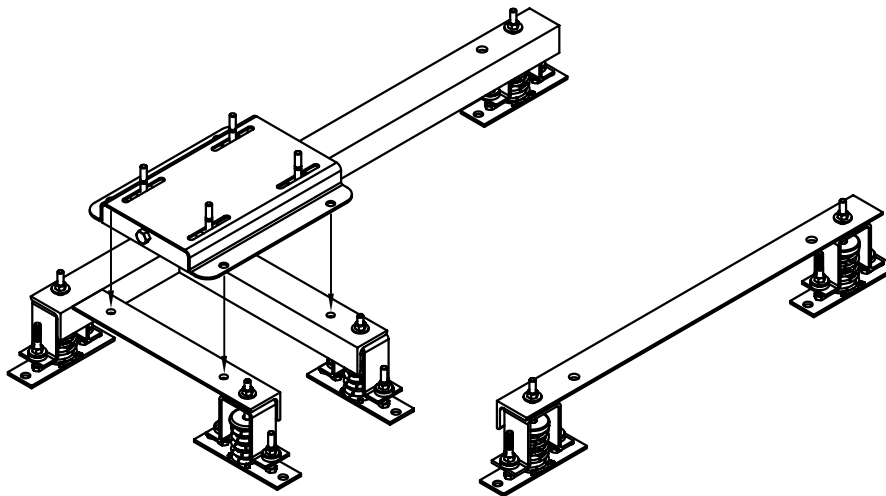


TYPICAL APPLICATIONS INCLUDE FAN ARRANGEMENTS 10
OR UTILITY SETS, PUMPS, ETC.

SW-JQ

TYPE SW RAILS
TO REDUCE POINT
WEIGHTS BY MULTIPPOINT
SUPPORT EQUIPMENT

SW-B MAY INCLUDE
MOTOR SLIDE RAILS



TYPICAL APPLICATIONS INCLUDE FAN ARRANGEMENTS 1 - 4, 7 - 9

SW-B-JQ



CALIFORNIA DYNAMICS CORP.

5572 ALHAMBRA AVENUE,
LOS ANGELES, CA 90032

PH (323) 223 3882 FX (323) 223 7941

"CALL US - TO SET THINGS RIGHT"

Assoc. Member



JOB:

DWG No.

CUST:

PREP BY:

Date:

TAG:

CHKD:

Date:

SHEET OF

REV.

TYPE SW & SW-B
SPRING RAILS

REV

0