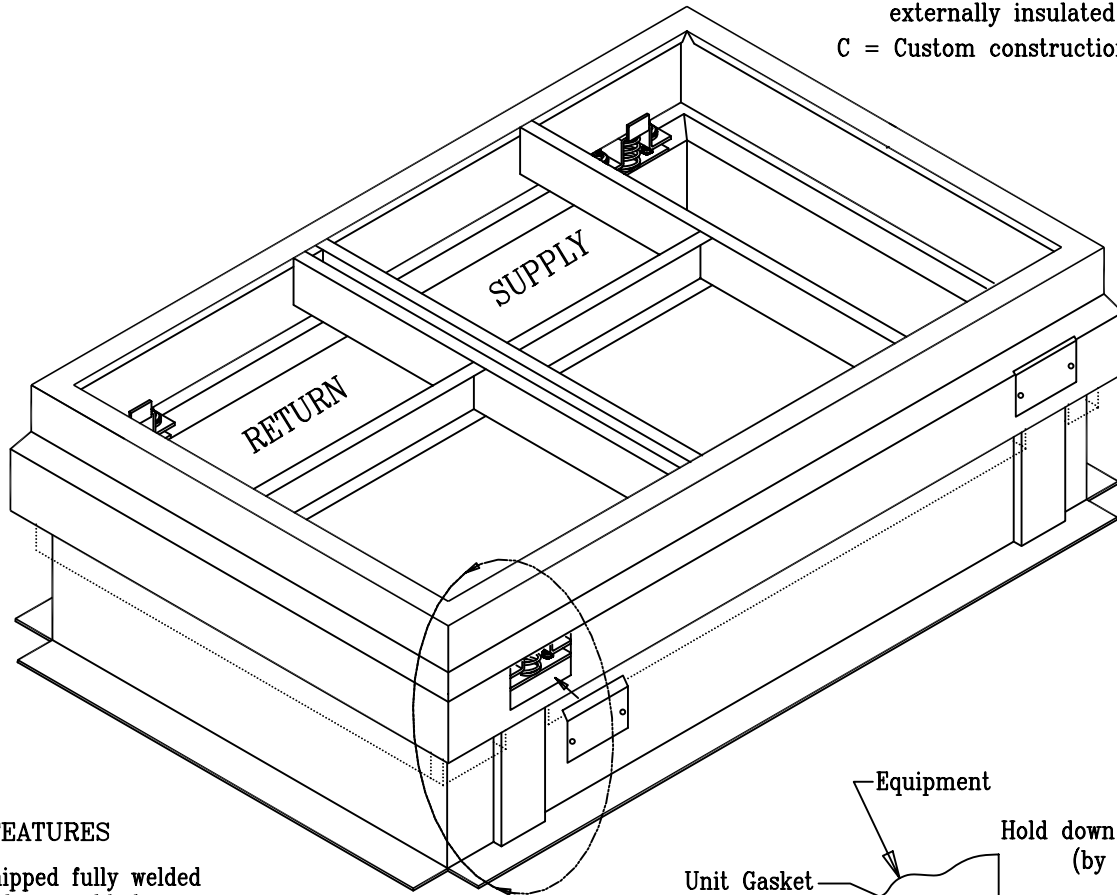
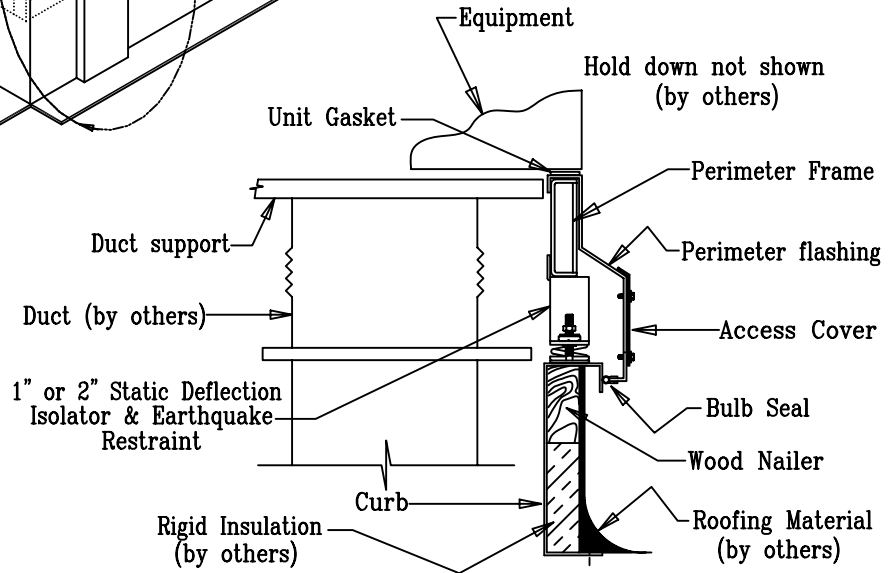


- A = Standard welded construction.
(shown here)
- E = Standard welded construction
externally insulated.
- C = Custom construction.



FEATURES

- 1 - Shipped fully welded and assembled.
- 2 - Full perimeter base curb with wood nailer.
- 3 - Spring Isolation with 1" or 2" Static Deflection and Earthquake Restraint (OSHPD Approved).
- 4 - Weather tight Access Cover at each Isolator location for adjustment.
- 5 - Other available options include single pitch and compound pitch.



CALIFORNIA DYNAMICS CORP.
5572 ALHAMBRA AVENUE,
LOS ANGELES, CA 90032
PH (323) 223 3882 FX (323) 223 7941
"CALL US - TO SET THINGS RIGHT"
Assoc. Member

JOB:		DWG No.	
CUST:		PREP BY:	Date:
TAG:		CHKD:	Date:
SHEET	OF	REV.	

<p>TYPE MW STEEL PERIMETER FRAME & ISOLATOR/ RESTRAINT W/ CALIF. PRE- APPROVED SEISMIC PROTECTION OPA-0070</p>	<p>REV 0</p>
---	------------------