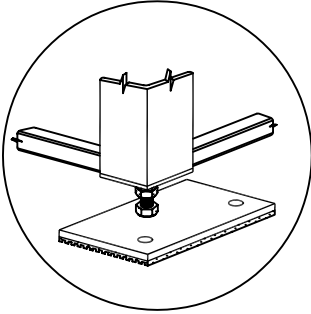


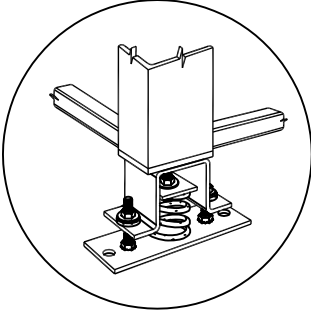
TYPE LW FLOOR STANDS ARE CUSTOM MADE TO FIT AND SUPPORT EQUIPMENT INSTALLED IN COMPUTER ROOMS. THEY ARE HEIGHT ADJUSTABLE AND SEISMICALLY PROTECT THE EQUIPMENT FOR ALL SEISMIC ZONES FROM 1 THRU 4.

TURNING VANE SHOWN BELOW IS OPTIONAL

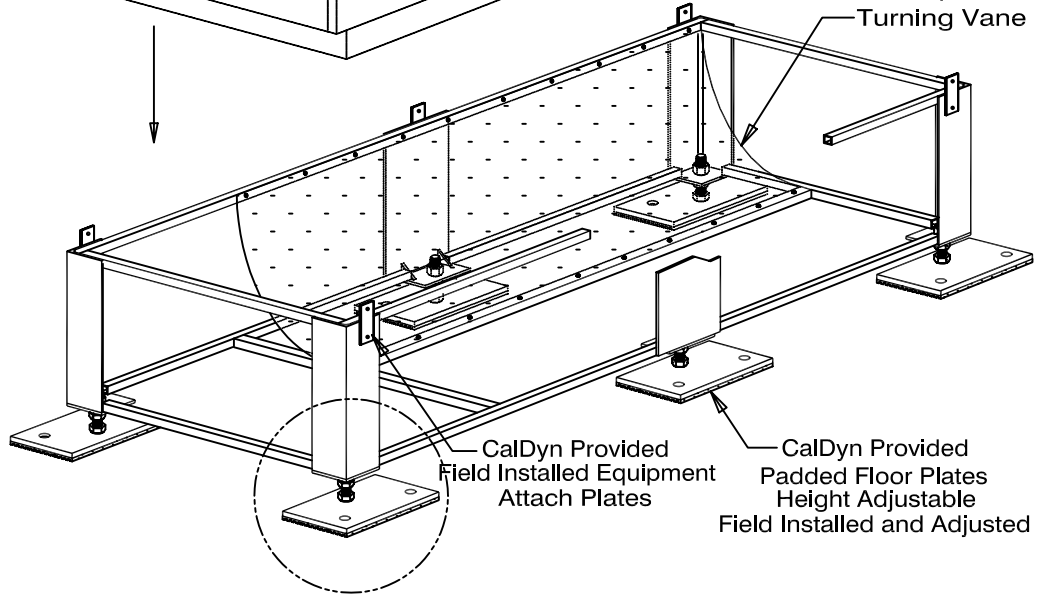
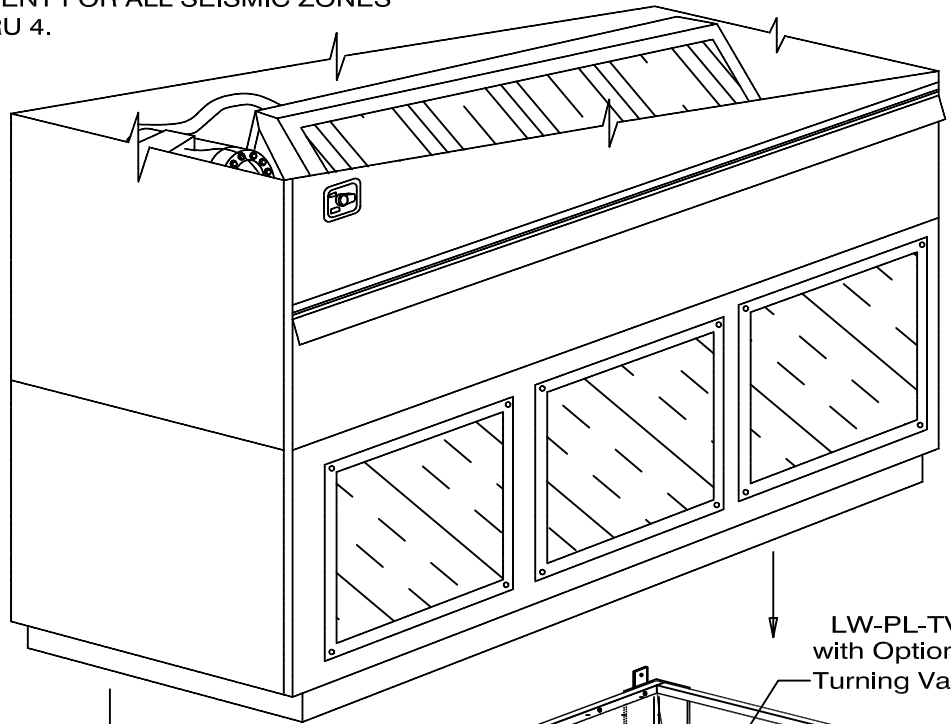
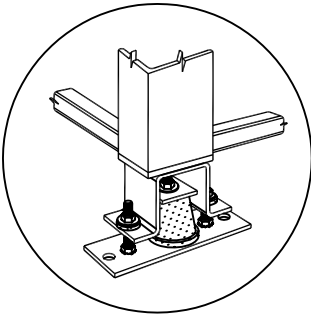
LW Style PL



LW Style JQ



LW Style JQ TQN



LW-PL-TV with Optional Turning Vane

CalDyn Provided Field Installed Equipment Attach Plates

CalDyn Provided Padded Floor Plates Height Adjustable Field Installed and Adjusted



CALIFORNIA DYNAMICS CORP.
5572 ALHAMBRA AVENUE,
LOS ANGELES, CA 90032
PH (323) 223 3882 FX (323) 223 7941

"CALL US - TO SET THINGS RIGHT"
Assoc. Member



JOB:

DWG No.

CUST:

PREP BY:

Date:

TAG:

CHKD:

Date:

SHEET OF

REV.

TYPE LW
SEISMIC FLOOR STAND

REV
0