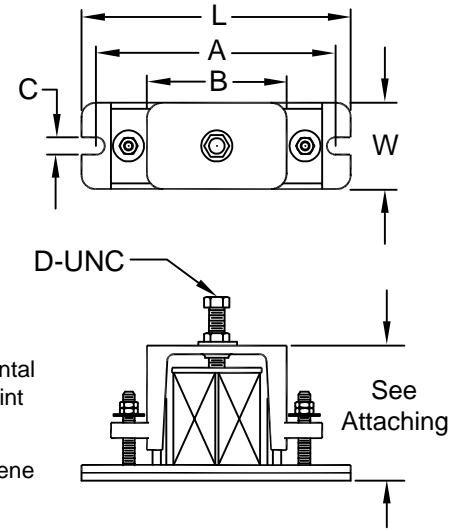
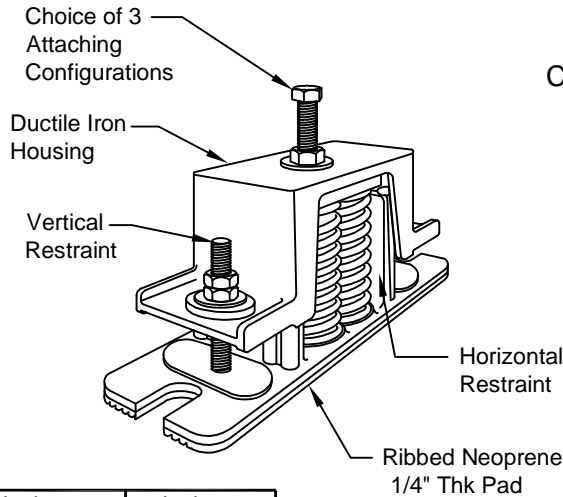


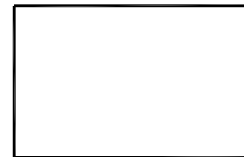
DIMENSIONS						
TYPE	A	B	C	D	L	W
RJB	8	3 3/4	9/16	1/2	9	2 3/8
RJC	12	7	5/8	5/8	13	2 3/8
RJE	12	7	1 1/16	5/8	13	4 5/8



EARTHQUAKE RESTRAINT RATING				
Type	Up	End	Side	
			Low	High
RJB	1600	1600	1280	1600
RJC	3366	3333	1312	2840
RJE	4910	6000	4000	4400

Isolator Location	Isolator Selection

Isolator Location



TYPICAL CALLOUT

Type RJB 511 T Attaching

Max.Load

Earthquake Restraints

Equipment motion is limited in all horizontal and vertical directions. Protection for, Earthquakes, Wind loads, Marine installations (*contact factory), Mobile installations (*contact factory), equipment weight changes due to drainage and unstable installations due to high equipment center of gravity.

Free Height

Typical operating 5-1/2" to 6". Height min. 5", max. 6-1/2". See attaching T, U and V.

Side Rating (High)

Applies for machine with strong moment resisting attachments.

Slow Rating (Low)

Applies for machine with weak moment resisting attachments.

Restraint ratings determined by independent laboratory test.

T External Load Transfer Bolted Attaching

U Internal Load Transfer Gravity Attaching Felt Pad

V Internal Load Transfer Stud Attaching

RJB 1 SPRING		
Type	Max. Load (Lbs.)	Spring Rate (Lbs/in)
RJB 21	21	1.13
RJB 55	55	1.13
RJB 79	79	1.13
RJB 106	106	1.13
RJB 120	120	2.30
RJB 155	155	2.20
RJB 187	187	1.13
RJB 244	244	1.13
RJB 318	318	1.13
RJB 395	395	1.80
RJB 511	511	1.50
RJB 715	715	1.30
*RJB 1060	1060	1.00
*RJB 1520	1520	.78
*RJB 1960	1960	.78

RJC 2 SPRINGS		
Type	Max. Load (Lbs.)	Spring Rate (Lbs/in)
RJC 42	42	1.13
RJC 110	110	1.13
RJC 158	158	1.13
RJC 212	212	1.13
RJC 240	240	2.30
RJC 310	310	2.20
RJC 374	374	1.13
RJC 488	488	1.13
RJC 636	636	1.13
RJC 790	790	1.80
RJC 1022	1022	1.50
RJC 1430	1430	1.30
*RJC 2120	2120	1.00
*RJC 3040	3040	.78
*RJC 3920	3920	.78

RJE 4 SPRINGS		
Type	Max. Load (Lbs.)	Spring Rate (Lbs/in)
RJE 84	84	1.13
RJE 220	220	1.13
RJE 316	316	1.13
RJE 424	424	1.13
RJE 480	480	2.30
RJE 620	620	2.20
RJE 748	748	1.13
RJE 976	976	1.13
RJE 1272	1272	1.13
RJE 1580	1580	1.80
RJE 2044	2044	1.50
RJE 2860	2860	1.30
*RJE 4240	4240	1.00
*RJE 6080	6080	.78
*RJE 7840	7840	.78



CALIFORNIA DYNAMICS CORPORATION
5572 ALHAMBRA AVE. LOS ANGELES CA, 90032
PH 323-223-3882 FAX 323-223-7941

email: caldyn@earthlink.net
"CALL US - TO SET THINGS RIGHT"

Assoc. Member



JOB: _____
CUSTOMER: _____
TAG: _____

Dwg. No. **F285** Date **02/18/15**
PREP By: _____ Date _____
CHKD By: _____ Date _____

TYPE
RJ
STEEL SPRING
ISOLATOR/RESTRAINT
DUCTILE IRON

DO NOT SCALE DRAWING